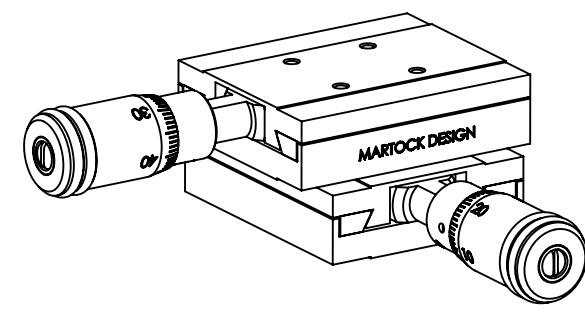
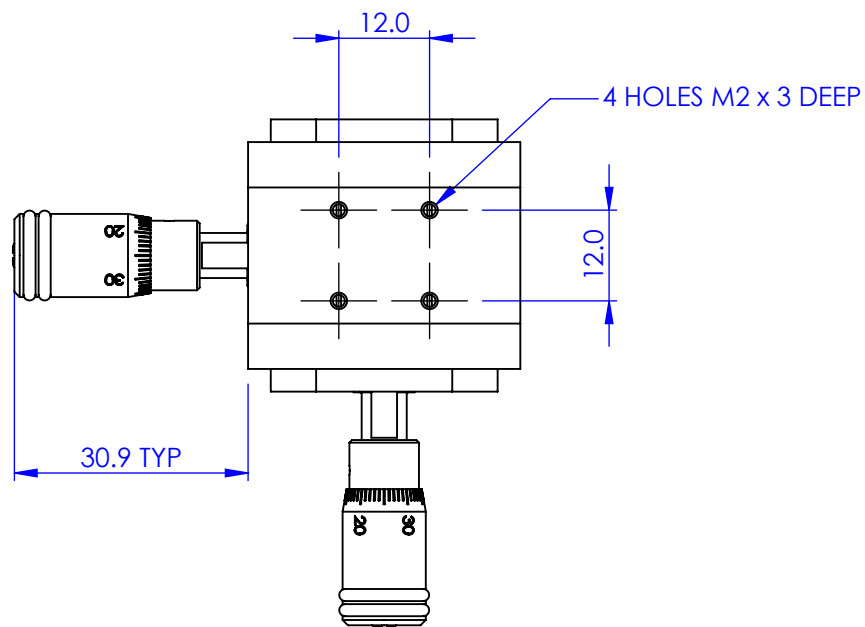
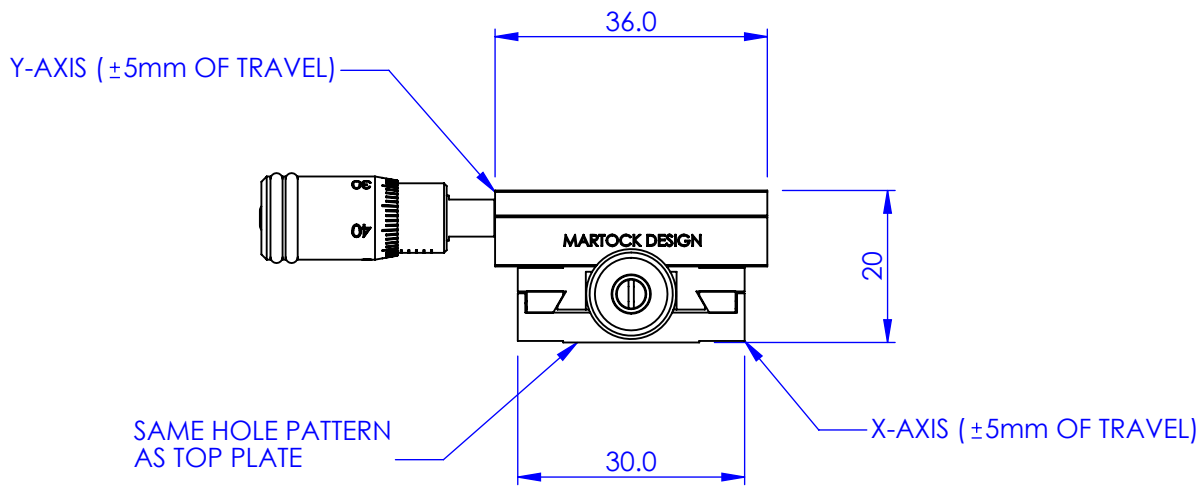


REV.	REVISIONS	DATE	APPROVED
	DESCRIPTION		



GENERAL VIEW
SCALE: 1:1



PROPRIETARY AND CONFIDENTIAL
COPYRIGHT ELLIOT SCIENTIFIC Ltd.
 THE INFORMATION CONTAINED IN THIS DRAWING IS THE SOLE PROPERTY OF ELLIOT SCIENTIFIC LTD. REPRODUCTION IN PART OR AS A WHOLE WITHOUT WRITTEN PERMISSION IS PROHIBITED.

DIMENSIONS ARE IN mm
 GENERAL TOLERANCES: ± 0.1
 ANGULAR TOLERANCES: \pm
 SURFACE FINISH:
 ALL BURRS, SHARP EDGES
 AND CORNERS TO BE
 REMOVED

NAME	DATE
AUTHOR GW	25/05/2010
CHECKED --	--

MATERIAL
**STAINLESS STEEL,
 BRASS, ALUM. ALLOY**

FINISH
 --

Elliot Scientific

TITLE
2 AXIS MICROPOSITIONER

SIZE **A4** DWG. NO. **MDE258M**

DO NOT SCALE DRAWING SCALE:1:1 THIRD ANGLE PROJECTION SHEET 1 OF 1