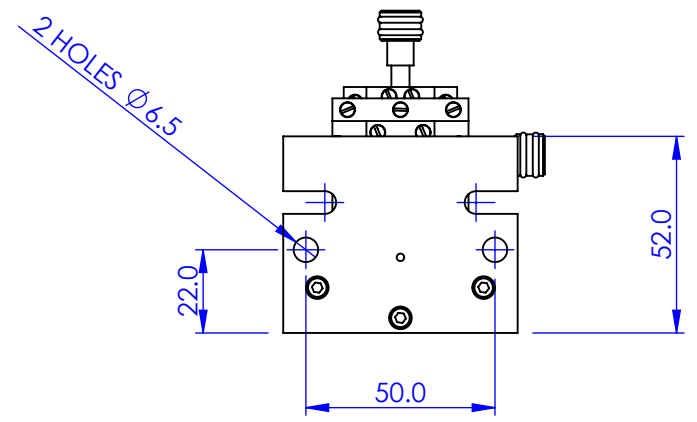
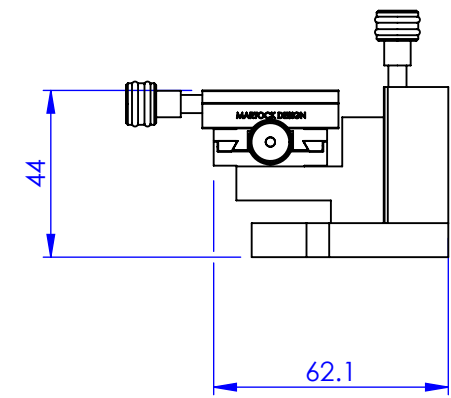
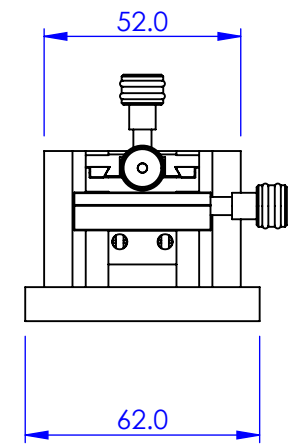
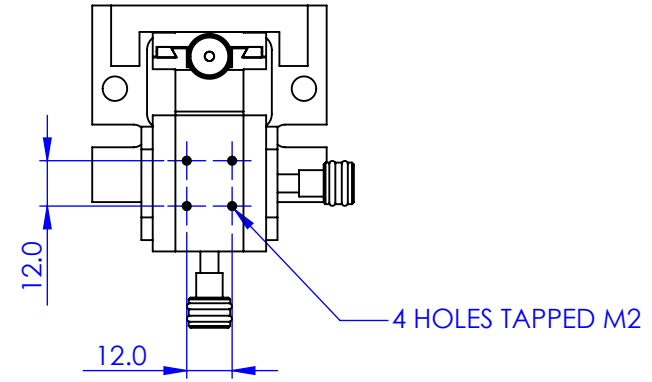


REV. NO.		REVISIONS	DATE	APPROVED
		DESCRIPTION		



PROPRIETARY AND CONFIDENTIAL
COPYRIGHT ELLIOT SCIENTIFIC Ltd.
 THE INFORMATION CONTAINED IN THIS
 DRAWING IS THE SOLE PROPERTY OF
 ELLIOT SCIENTIFIC LTD. REPRODUCTION
 IN PART OR AS A WHOLE WITHOUT WRITTEN
 PERMISSION IS PROHIBITED.

DIMENSIONS ARE IN mm
 GENERAL TOLERANCES: ± 0.1
 ANGULAR TOLERANCES: ±
 SURFACE FINISH:
 ALL BURRS, SHARP EDGES
 AND CORNERS TO BE
 REMOVED

AUTHOR	NAME	DATE
GW	GW	26/05/2010
CHECKED	--	--
MATERIAL		
STAINLESS STEEL, BRASS, ALUM. ALLOY		
FINISH		
--		
DO NOT SCALE DRAWING		

		TITLE	
		XYZ MICROPOSITIONER	
SIZE	DWG. NO.		
A4	MDE850		
SCALE:1:2		THIRD ANGLE PROJECTION	
		SHEET 1 OF 1	