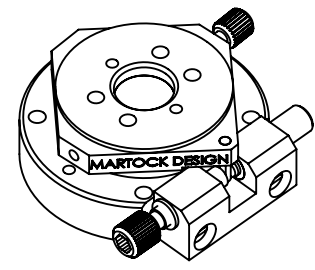
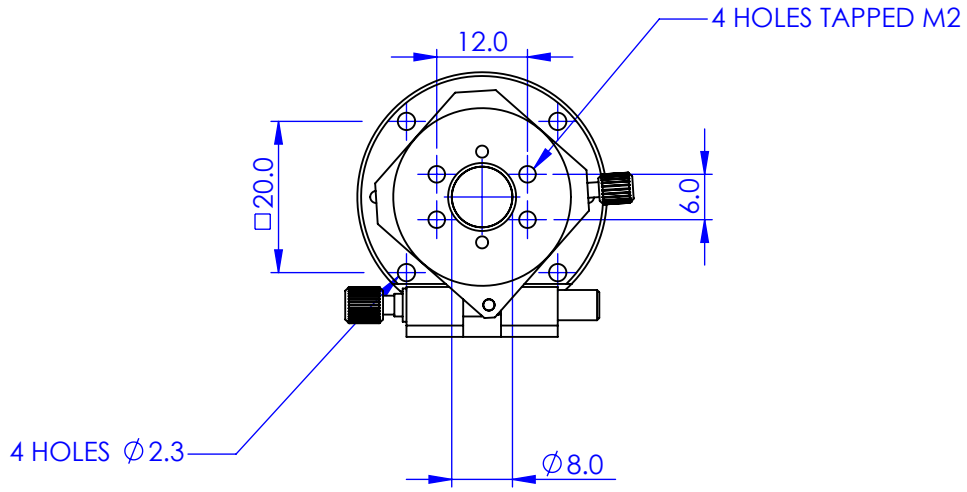
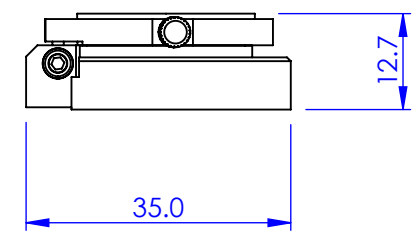
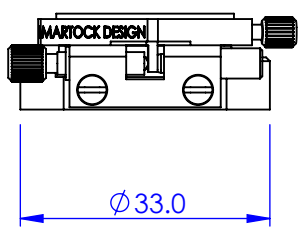


MDE283-8
 COARSE ADJUST: FULL 360°
 FINE ADJUST: ±5°
 RESOLUTION: 5 ARC.SEC

REV.	REVISIONS	DESCRIPTION	DATE	APPROVED



GENERAL VIEW
 SCALE: 1:1



PROPRIETARY AND CONFIDENTIAL
COPYRIGHT ELLIOT SCIENTIFIC Ltd.
 THE INFORMATION CONTAINED IN THIS
 DRAWING IS THE SOLE PROPERTY OF
 ELLIOT SCIENTIFIC LTD. REPRODUCTION
 IN PART OR AS A WHOLE WITHOUT WRITTEN
 PERMISSION IS PROHIBITED.

DIMENSIONS ARE IN mm
 GENERAL TOLERANCES: ± 0.1
 ANGULAR TOLERANCES: ±
 SURFACE FINISH:
 ALL BURRS, SHARP EDGES
 AND CORNERS TO BE
 REMOVED

	NAME	DATE
AUTHOR	GW	02/06/2010
CHECKED	--	--
MATERIAL		
FINISH	---	
DO NOT SCALE DRAWING		

		TITLE	
		ROTATION STAGE	
SIZE	DWG. NO.		
A4	MDE283-8		
SCALE:1:1	THIRD ANGLE PROJECTION	SHEET 1 OF 1	