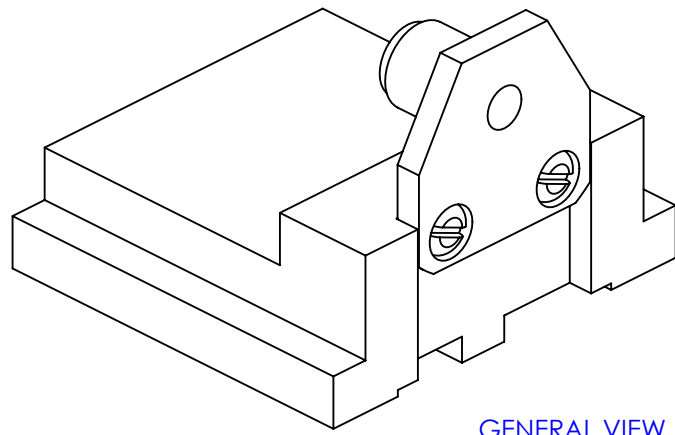
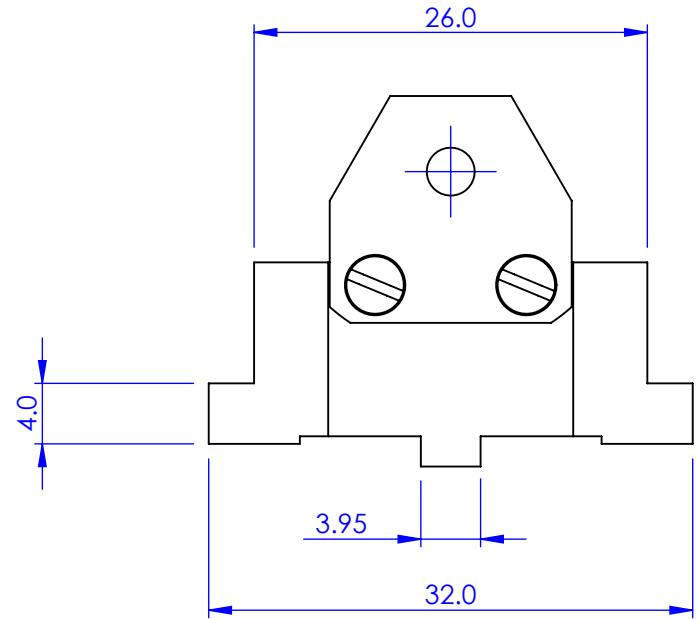
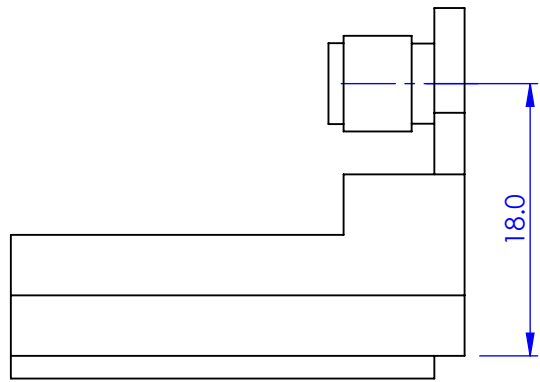
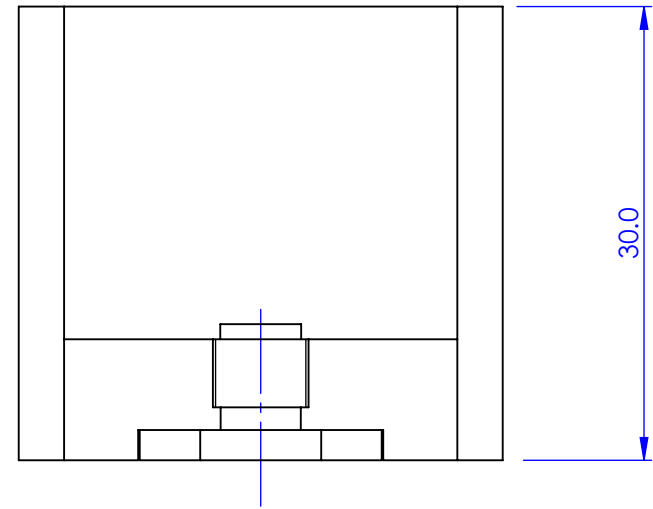


REVISED		DATE	APPROVED
REV.	DESCRIPTION		



GENERAL VIEW
SCALE 2:1



PROPRIETARY AND CONFIDENTIAL
COPYRIGHT ELLIOT SCIENTIFIC Ltd.
 THE INFORMATION CONTAINED IN THIS DRAWING IS THE SOLE PROPERTY OF ELLIOT SCIENTIFIC LTD. REPRODUCTION IN PART OR AS A WHOLE WITHOUT WRITTEN PERMISSION IS PROHIBITED.

DIMENSIONS ARE IN mm
 GENERAL TOLERANCES: ± 0.1
 ANGULAR TOLERANCES: \pm
 SURFACE FINISH:
 ALL BURRS, SHARP EDGES AND CORNERS TO BE REMOVED

AUTHOR	NAME	DATE
GW	GW	10/08/2010
CHECKED	--	--
MATERIAL	---	
FINISH	---	
DO NOT SCALE DRAWING		

		TITLE	
		CONNECTOR MOUNT SMA	
SIZE	DWG. NO.		
A4	MDE736		
SCALE:2:1	THIRD ANGLE PROJECTION	SHEET 1 OF 1	