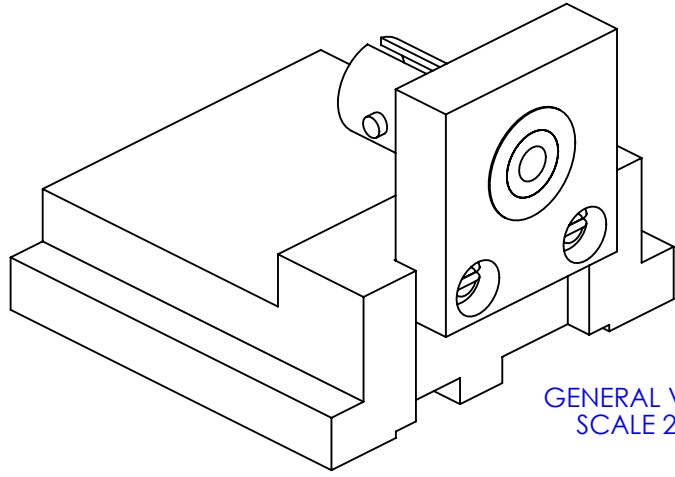
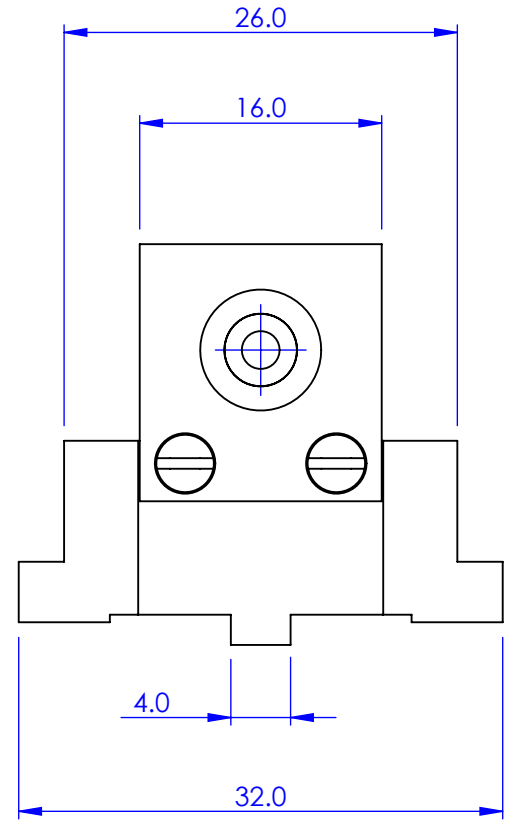
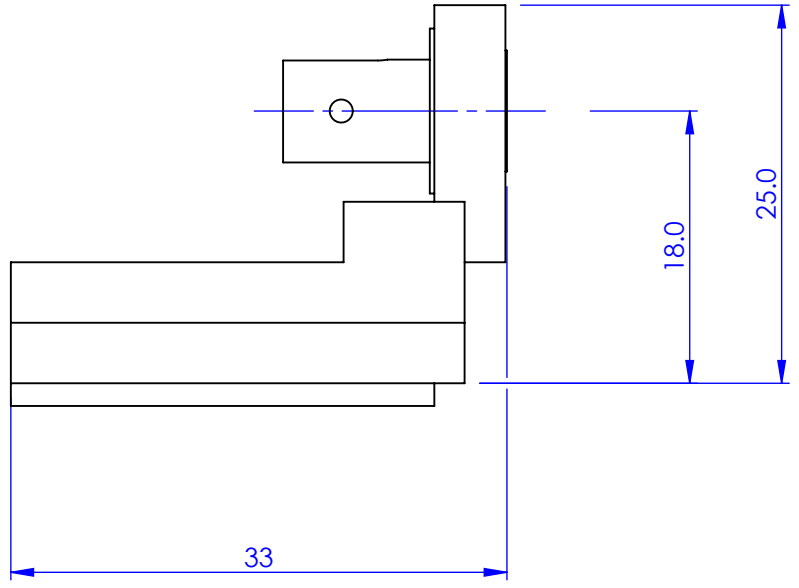


REV. NO.		REVISIONS	DATE	APPROVED
		DESCRIPTION		



GENERAL VIEW  
SCALE 2:1



**PROPRIETARY AND CONFIDENTIAL**  
**COPYRIGHT ELLIOT SCIENTIFIC Ltd.**  
 THE INFORMATION CONTAINED IN THIS DRAWING IS THE SOLE PROPERTY OF ELLIOT SCIENTIFIC LTD. REPRODUCTION IN PART OR AS A WHOLE WITHOUT WRITTEN PERMISSION IS PROHIBITED.

DIMENSIONS ARE IN mm  
 GENERAL TOLERANCES:  $\pm 0.1$   
 ANGULAR TOLERANCES:  $\pm$   
 SURFACE FINISH:  
 ALL BURRS, SHARP EDGES  
 AND CORNERS TO BE  
 REMOVED

NAME	DATE
AUTHOR GW	10/08/2010
CHECKED --	--
MATERIAL --	
FINISH --	
DO NOT SCALE DRAWING	

		TITLE	
		CONNECTOR MOUNT	
SIZE	DWG. NO.		
A4	MDE737		
SCALE:2:1	THIRD ANGLE PROJECTION	SHEET 1 OF 1	