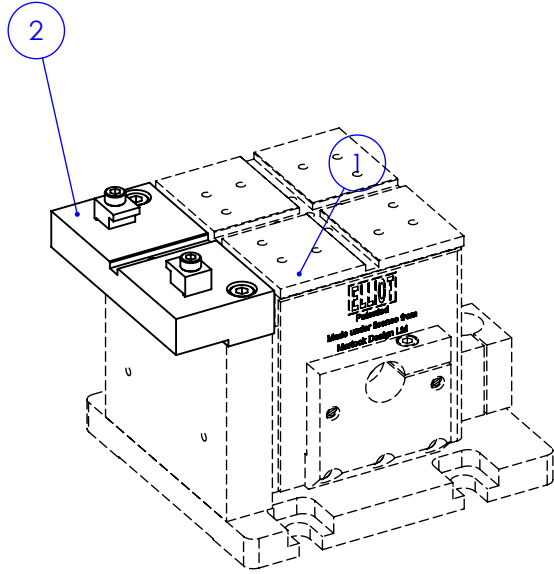


PART NO.	ITEM NO.	QTY	DESCRIPTION
MDE330	1	1	XYZ FLEXURE STAGE
MDE148	2	1	SMALL PLATFORM ASSEMBLY

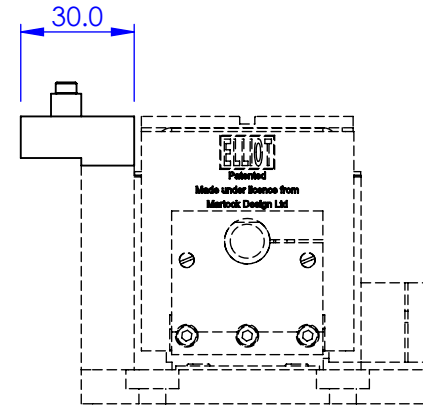
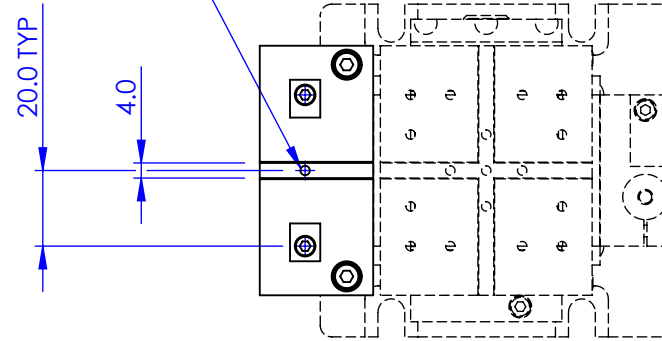
REV.	REVISIONS	DESCRIPTION	DATE	APPROVED

NB FLEXURE STAGE NOT INCLUDED



GENERAL VIEW  
SCALE: 1:2

3 HOLES TAPPED M3



**PROPRIETARY AND CONFIDENTIAL**  
**COPYRIGHT ELLIOT SCIENTIFIC Ltd.**  
THE INFORMATION CONTAINED IN THIS DRAWING IS THE SOLE PROPERTY OF ELLIOT SCIENTIFIC LTD. REPRODUCTION IN PART OR AS A WHOLE WITHOUT WRITTEN PERMISSION IS PROHIBITED.

DIMENSIONS ARE IN mm  
GENERAL TOLERANCES:  $\pm 0.1$   
ANGULAR TOLERANCES:  $\pm$   
SURFACE FINISH:  
ALL BURRS, SHARP EDGES  
AND CORNERS TO BE  
REMOVED

	NAME	DATE
AUTHOR	GW	18/10/2005
CHECKED	--	--
MATERIAL		
FINISH		
DO NOT SCALE DRAWING		

<b>Elliot Scientific</b>	
TITLE	
SMALL FIXED PLATFORM	
SIZE	DWG. NO.
<b>A4</b>	MDE148
SCALE: 1:2	THIRD ANGLE PROJECTION
	SHEET 1 OF 1