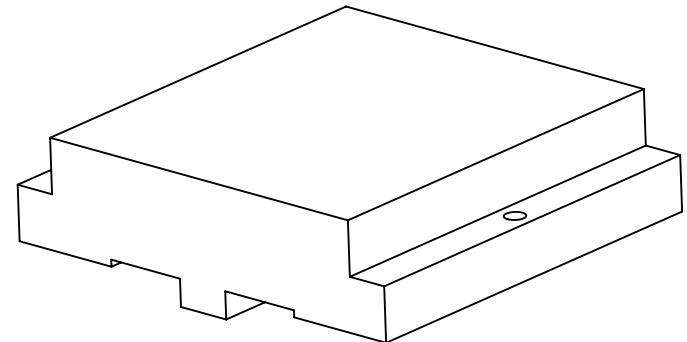
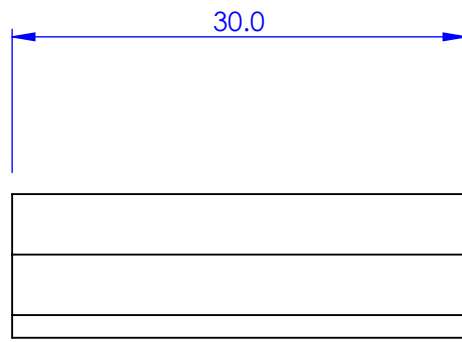
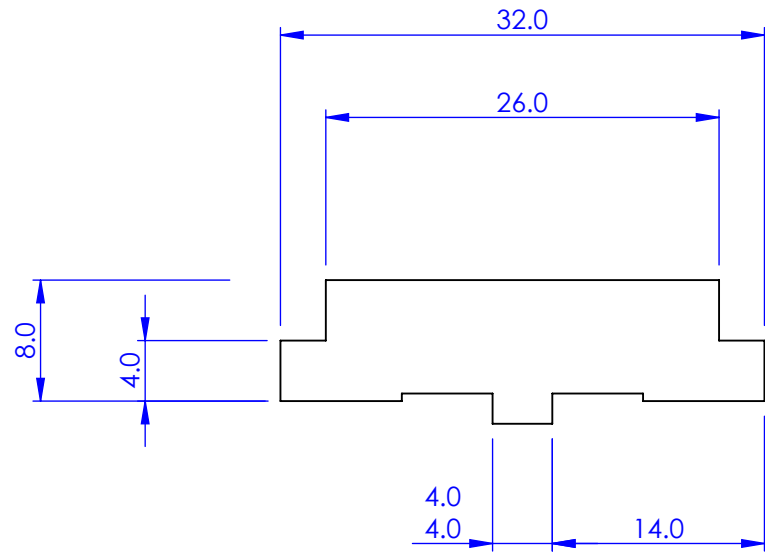


REV. NO.		REVISIONS	DATE	APPROVED
		DESCRIPTION		



GENERAL VIEW
SCALE: 2:1



PROPRIETARY AND CONFIDENTIAL
COPYRIGHT MARTOCK DESIGN Ltd.
 THE INFORMATION CONTAINED IN THIS DRAWING IS THE SOLE PROPERTY OF MARTOCK DESIGN LTD*. REPRODUCTION IN PART OR AS A WHOLE WITHOUT WRITTEN PERMISSION IS PROHIBITED.
 *A WHOLLY OWNED SUBSIDIARY OF ELLIOT SCIENTIFIC LIMITED

DIMENSIONS ARE IN mm
 GENERAL TOLERANCES: ± 0.1
 ANGULAR TOLERANCES: \pm
 SURFACE FINISH:
 ALL BURRS, SHARP EDGES
 AND CORNERS TO BE
 REMOVED

AUTHOR	NAME	DATE	Elliot Scientific	
ORIGINAL				
3D MODEL	GW	11/02/2008	TITLE COMPONENT PLATE	
MATERIAL ALUM. ALLOY			SIZE A4	DWG. NO. MDE153
FINISH ANODISED BLACK			DO NOT SCALE DRAWING	
SCALE:2:1			THIRD ANGLE PROJECTION	SHEET 1 OF 1