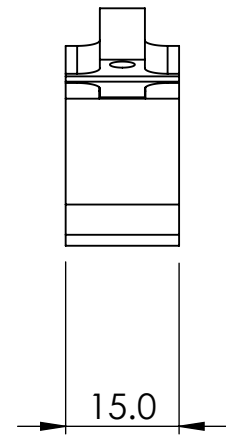
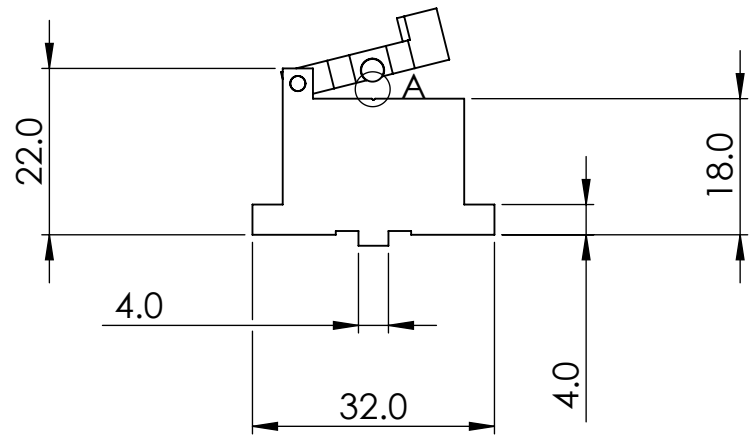
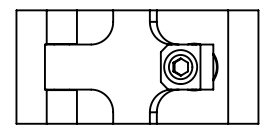
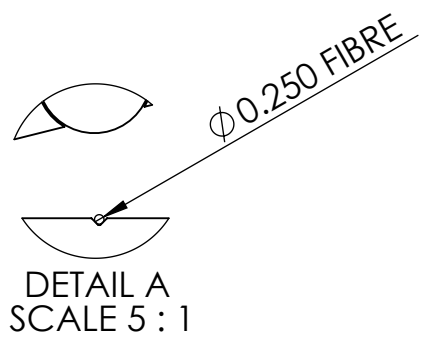


REV.	REVISIONS	DATE	APPROVED
	DESCRIPTION		



# MDE711

**PROPRIETARY AND CONFIDENTIAL**  
**COPYRIGHT ELLIOT SCIENTIFIC Ltd.**  
 THE INFORMATION CONTAINED IN THIS DRAWING IS THE SOLE PROPERTY OF ELLIOT SCIENTIFIC LTD. REPRODUCTION IN PART OR AS A WHOLE WITHOUT WRITTEN PERMISSION IS PROHIBITED.

DIMENSIONS ARE IN mm  
 GENERAL TOLERANCES:  $\pm 0.1$   
 ANGULAR TOLERANCES:  $\pm$   
 SURFACE FINISH:  
 ALL BURRS, SHARP EDGES  
 AND CORNERS TO BE  
 REMOVED

	NAME	DATE
AUTHOR		09/08/2010
CHECKED	--	--
MATERIAL		
FINISH	---	
DO NOT SCALE DRAWING		

		TITLE
		FIBRE HOLDER
SIZE	DWG. NO.	
A4	MDE711	
SCALE:1:1	THIRD ANGLE PROJECTION	SHEET 1 OF 1