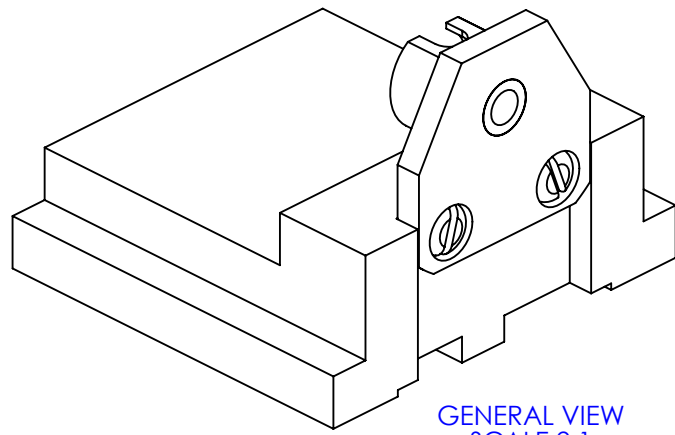
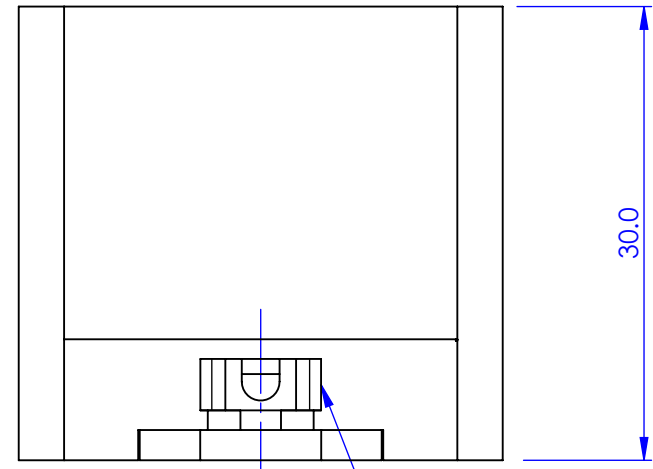


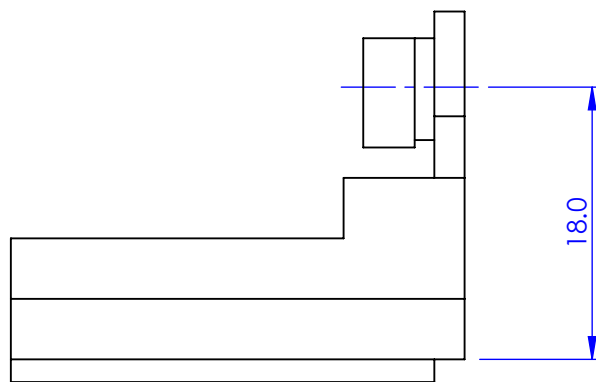
REVIEWS		DATE	APPROVED
REV.	DESCRIPTION		



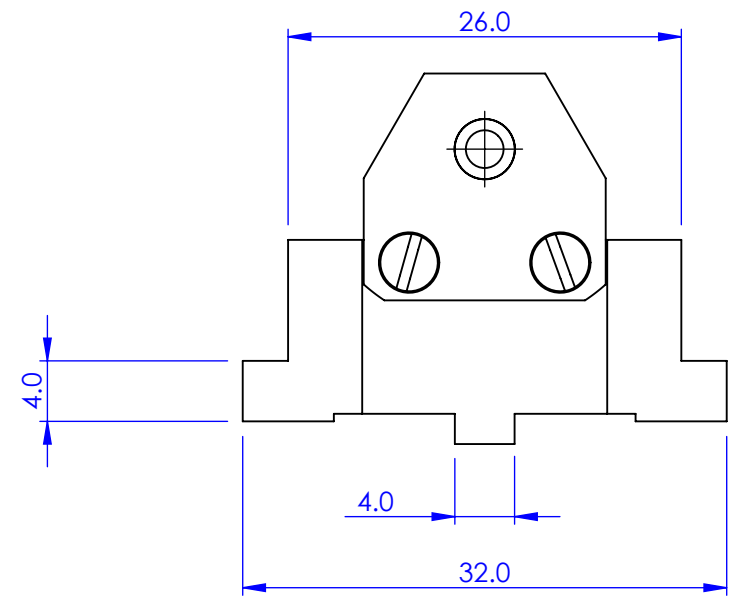
GENERAL VIEW  
SCALE 2:1



M8 x 0.75



18.0



26.0

32.0

4.0

4.0

**PROPRIETARY AND CONFIDENTIAL**  
**COPYRIGHT ELLIOT SCIENTIFIC Ltd.**  
THE INFORMATION CONTAINED IN THIS DRAWING IS THE SOLE PROPERTY OF ELLIOT SCIENTIFIC LTD. REPRODUCTION IN PART OR AS A WHOLE WITHOUT WRITTEN PERMISSION IS PROHIBITED.

DIMENSIONS ARE IN mm  
GENERAL TOLERANCES:  $\pm 0.1$   
ANGULAR TOLERANCES:  $\pm$   
SURFACE FINISH:  
ALL BURRS, SHARP EDGES  
AND CORNERS TO BE  
REMOVED

NAME	DATE
AUTHOR GW	10/08/2010
CHECKED --	--
MATERIAL --	
FINISH --	
DO NOT SCALE DRAWING	

**Elliot Scientific**

TITLE  
**CONNECTOR MOUNT FC/PC**

SIZE **A4** DWG. NO. **MDE735**

SCALE:2:1 THIRD ANGLE PROJECTION SHEET 1 OF 1