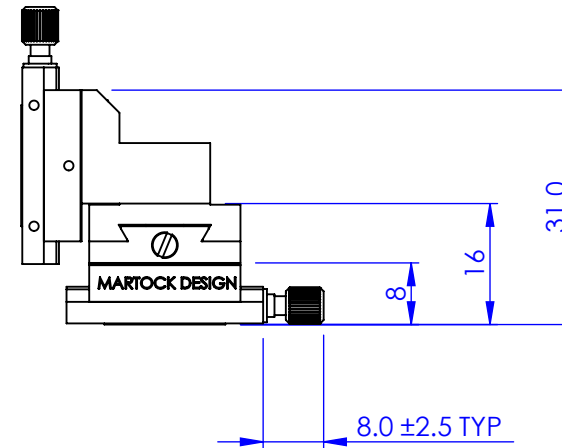
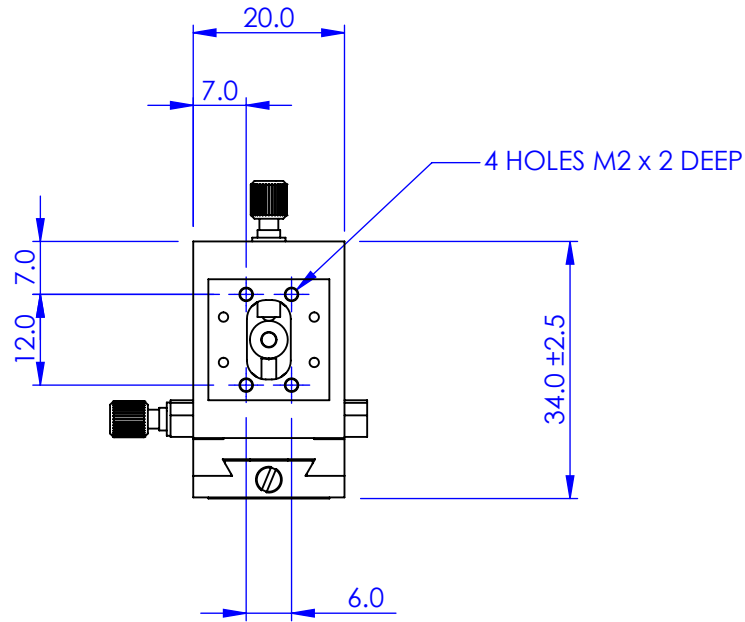
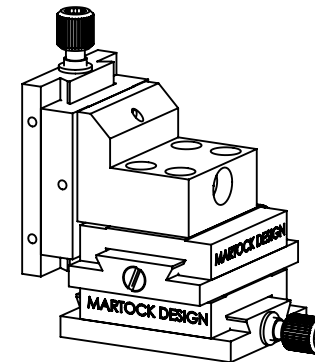
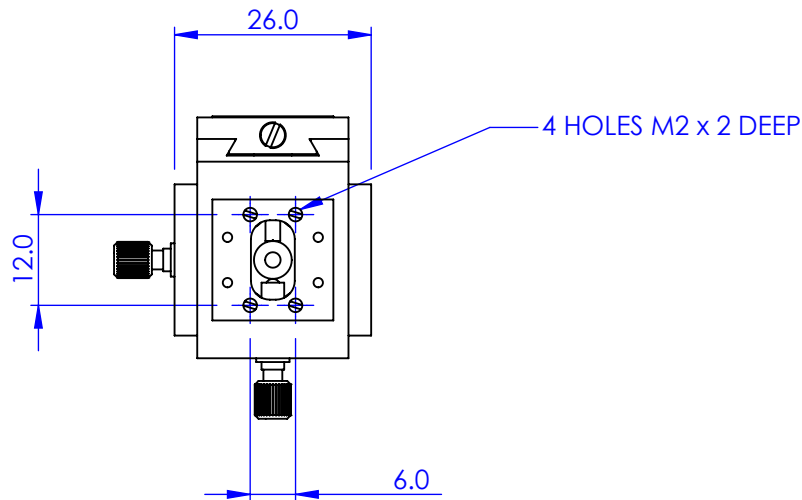


REV.	REVISIONS	DESCRIPTION	DATE	APPROVED



EACH AXIS HAS ±2.5mm OF TRAVEL



GENERAL VIEW  
SCALE: 1:1

**PROPRIETARY AND CONFIDENTIAL  
COPYRIGHT ELLIOT SCIENTIFIC Ltd.**  
THE INFORMATION CONTAINED IN THIS  
DRAWING IS THE SOLE PROPERTY OF  
ELLIOT SCIENTIFIC LTD. REPRODUCTION  
IN PART OR AS A WHOLE WITHOUT WRITTEN  
PERMISSION IS PROHIBITED.

DIMENSIONS ARE IN mm  
GENERAL TOLERANCES: ± 0.1  
ANGULAR TOLERANCES: ±  
SURFACE FINISH:  
ALL BURRS, SHARP EDGES  
AND CORNERS TO BE  
REMOVED

AUTHOR	NAME	DATE
GW	GW	11/05/2010
CHECKED	--	--
MATERIAL STAINLESS STEEL, ALUM. ALLOY		
FINISH --		
DO NOT SCALE DRAWING		

		TITLE	
		XYZ DOVETAIL SLIDE	
SIZE	DWG. NO.	SHEET 1 OF 1	
A4	MDE263	SCALE: 1:1	THIRD ANGLE PROJECTION