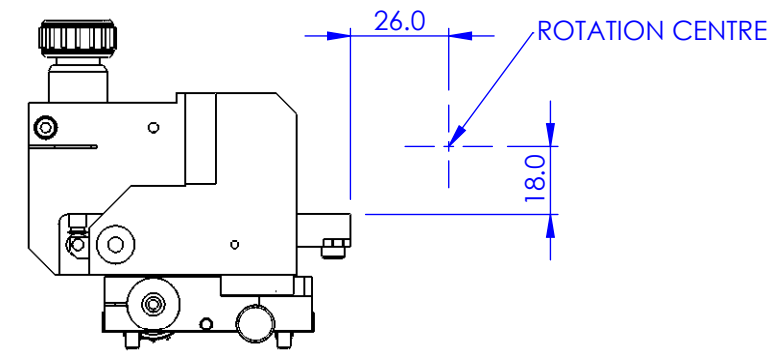
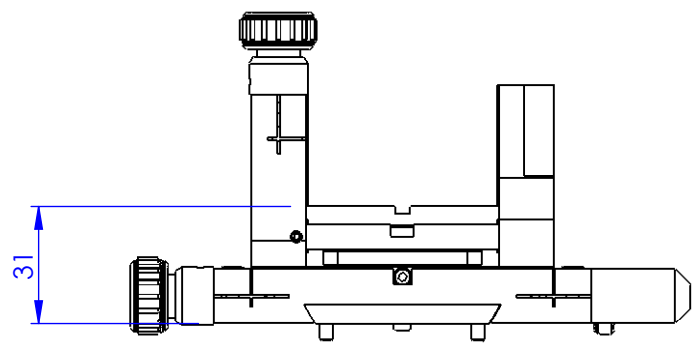
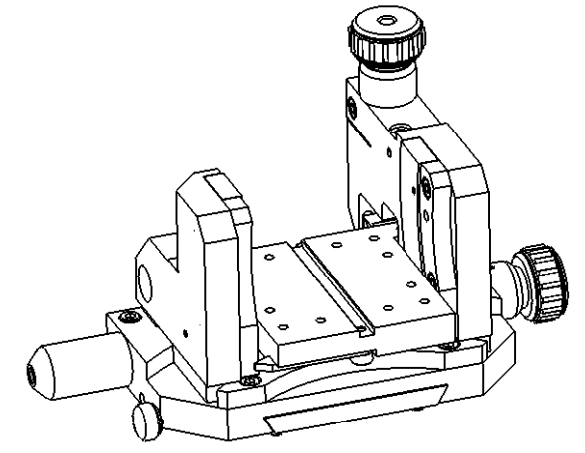
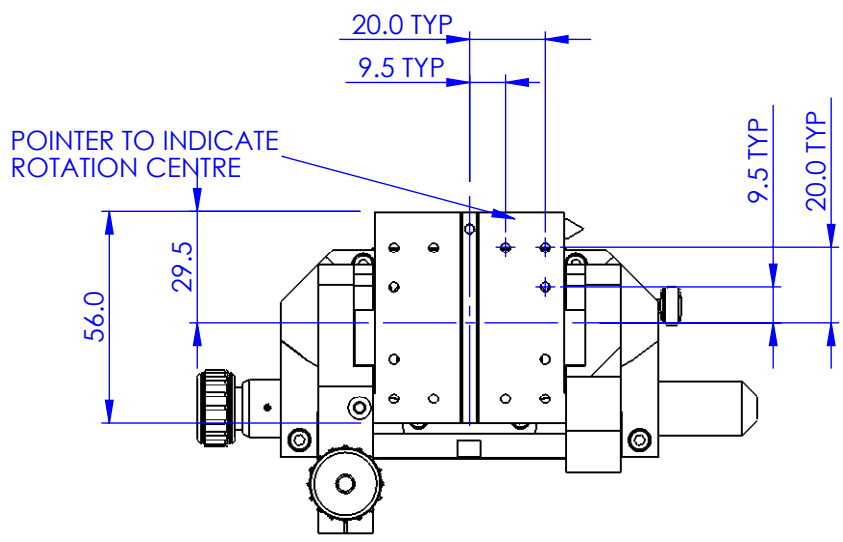


REVOLUTIONS		DATE	APPROVED
REV.	DESCRIPTION		



**PROPRIETARY AND CONFIDENTIAL
COPYRIGHT ELLIOT SCIENTIFIC Ltd.**
THE INFORMATION CONTAINED IN THIS
DRAWING IS THE SOLE PROPERTY OF
ELLIOT SCIENTIFIC LTD. REPRODUCTION
IN PART OR AS A WHOLE WITHOUT WRITTEN
PERMISSION IS PROHIBITED.

DIMENSIONS ARE IN mm
GENERAL TOLERANCES: ± 0.1
ANGULAR TOLERANCES: \pm
SURFACE FINISH:
ALL BURRS, SHARP EDGES
AND CORNERS TO BE
REMOVED

NAME	DATE
AUTHOR GW	26/02/2008
CHECKED --	--
MATERIAL	
FINISH --	
DO NOT SCALE DRAWING	

		TITLE	
		2 AXIS PITCH YAW MODULE	
SIZE	DWG. NO.		
A4	MDE183		
SCALE:1:2		THIRD ANGLE PROJECTION	SHEET 1 OF 2