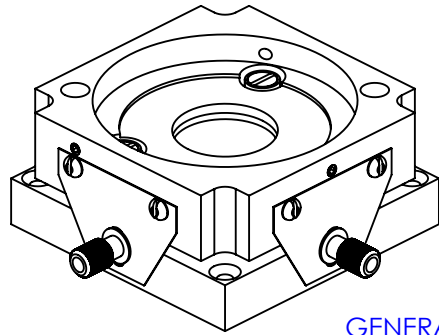
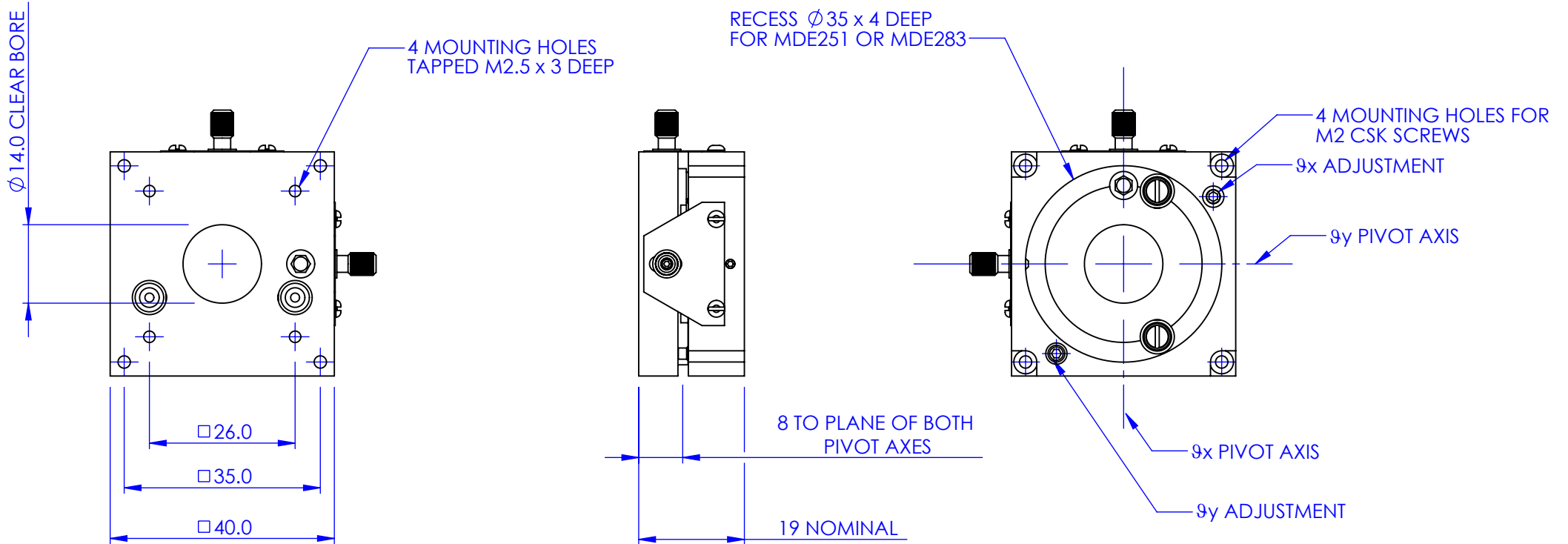


REV.	REVISIONS	DESCRIPTION	DATE	APPROVED



GENERAL VIEW
SCALE: 1:1



PROPRIETARY AND CONFIDENTIAL
COPYRIGHT ELLIOT SCIENTIFIC Ltd.
 THE INFORMATION CONTAINED IN THIS
 DRAWING IS THE SOLE PROPERTY OF
 ELLIOT SCIENTIFIC LTD. REPRODUCTION
 IN PART OR AS A WHOLE WITHOUT WRITTEN
 PERMISSION IS PROHIBITED.

DIMENSIONS ARE IN mm
 GENERAL TOLERANCES: \pm 0.1
 ANGULAR TOLERANCES: \pm
 SURFACE FINISH:
 ALL BURRS, SHARP EDGES
 AND CORNERS TO BE
 REMOVED

AUTHOR	NAME	DATE
GW	GW	26/05/2010
CHECKED	--	--
MATERIAL		
ALUM ALLOY, STAINLESS STEEL		
FINISH		
--		
DO NOT SCALE DRAWING		

		TITLE	
		MDE270 PRECISION TILT STAGE	
SIZE	DWG. NO.	SHEET 1 OF 1	
A4	MDE270	SCALE:1:1	THIRD ANGLE PROJECTION