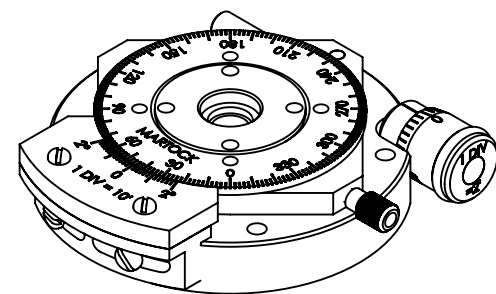
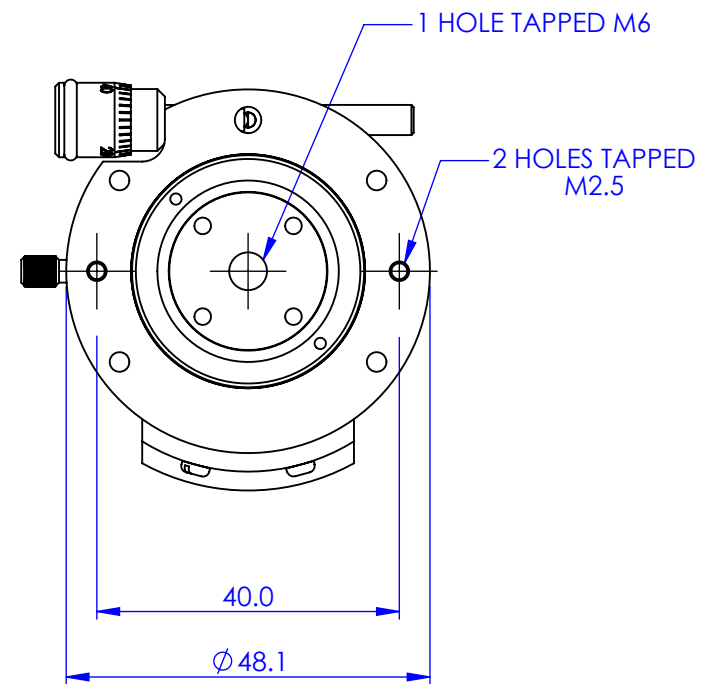
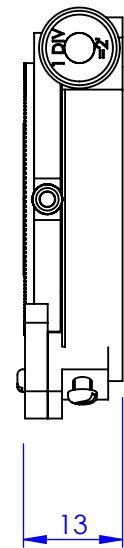
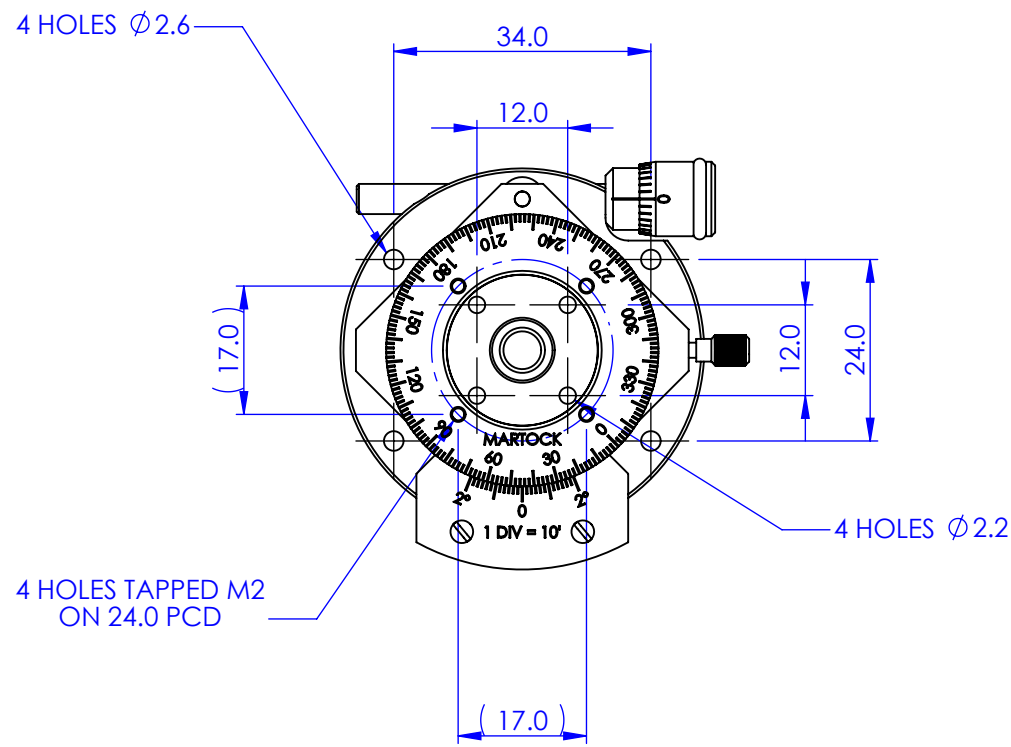


| REV. | REVISIONS | DESCRIPTION | DATE | APPROVED |
|------|-----------|-------------|------|----------|
| | | | | |



GENERAL VIEW
SCALE: 1:1

PROPRIETARY AND CONFIDENTIAL
COPYRIGHT ELLIOT SCIENTIFIC Ltd.
 THE INFORMATION CONTAINED IN THIS DRAWING IS THE SOLE PROPERTY OF ELLIOT SCIENTIFIC LTD. REPRODUCTION IN PART OR AS A WHOLE WITHOUT WRITTEN PERMISSION IS PROHIBITED.

DIMENSIONS ARE IN mm
 GENERAL TOLERANCES: ± 0.1
 ANGULAR TOLERANCES: \pm
 SURFACE FINISH:
 ALL BURRS, SHARP EDGES
 AND CORNERS TO BE
 REMOVED

| | NAME | DATE |
|----------------------|------|------------|
| AUTHOR | GW | 09/02/2010 |
| CHECKED | -- | -- |
| MATERIAL | | |
| FINISH | | |
| DO NOT SCALE DRAWING | | |



| | |
|----------------|------------------------|
| TITLE | |
| ROTATION STAGE | |
| SIZE | DWG. NO. |
| A4 | MDE282G |
| SCALE:1:1 | THIRD ANGLE PROJECTION |
| SHEET 1 OF 1 | |