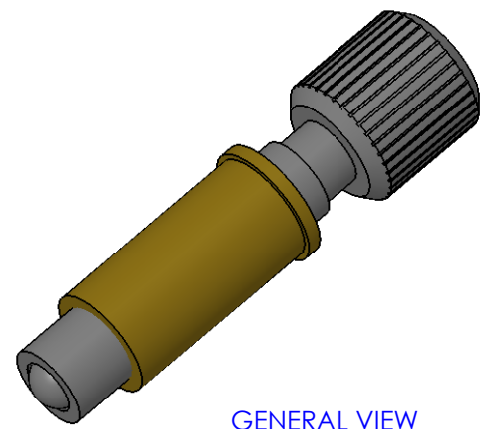
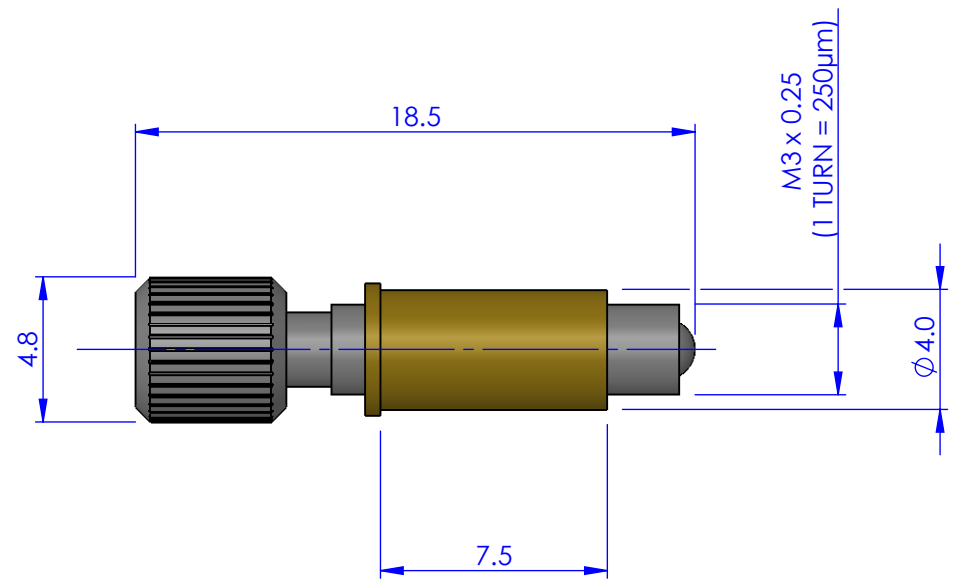
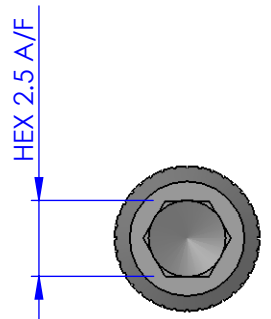


REV.	REVISIONS	DESCRIPTION	DATE	APPROVED



GENERAL VIEW
SCALE: 4:1

PROPRIETARY AND CONFIDENTIAL
COPYRIGHT ELLIOT SCIENTIFIC Ltd.
 THE INFORMATION CONTAINED IN THIS
 DRAWING IS THE SOLE PROPERTY OF
 ELLIOT SCIENTIFIC LTD. REPRODUCTION
 IN PART OR AS A WHOLE WITHOUT WRITTEN
 PERMISSION IS PROHIBITED.

DIMENSIONS ARE IN mm
 GENERAL TOLERANCES: ± 0.1
 ANGULAR TOLERANCES: ±
 SURFACE FINISH:
 ALL BURRS, SHARP EDGES
 AND CORNERS TO BE
 REMOVED

AUTHOR	NAME	DATE
GW	GW	02/06/2010
CHECKED	--	--
MATERIAL	--	
FINISH	--	
DO NOT SCALE DRAWING		

		TITLE	
		MDE208 ADJUSTER	
SIZE	DWG. NO.	TITLE	
A4	MDE208	MDE208 ADJUSTER	
SCALE:4:1	THIRD ANGLE PROJECTION	SHEET 1 OF 1	