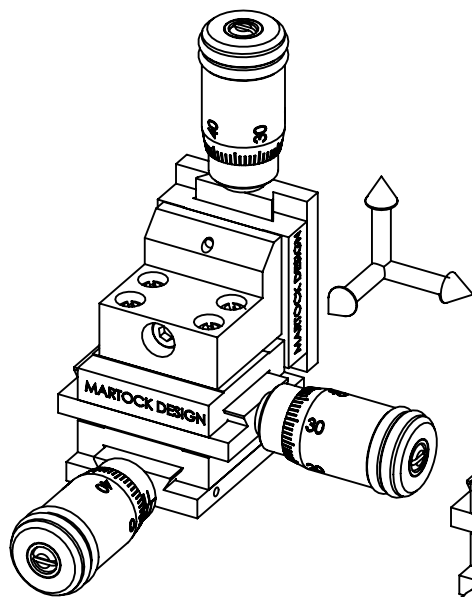
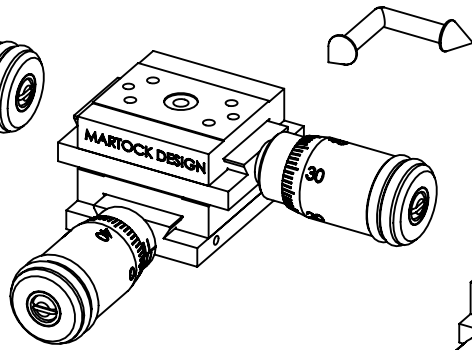


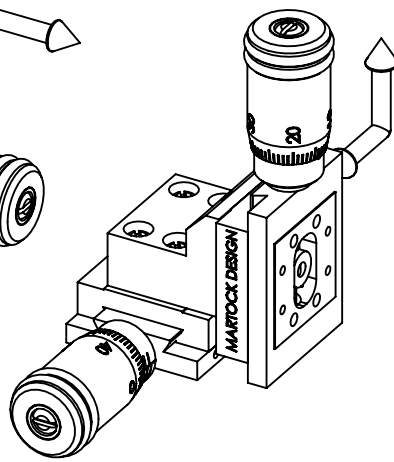
REV.	REVISIONS	DESCRIPTION	DATE	APPROVED



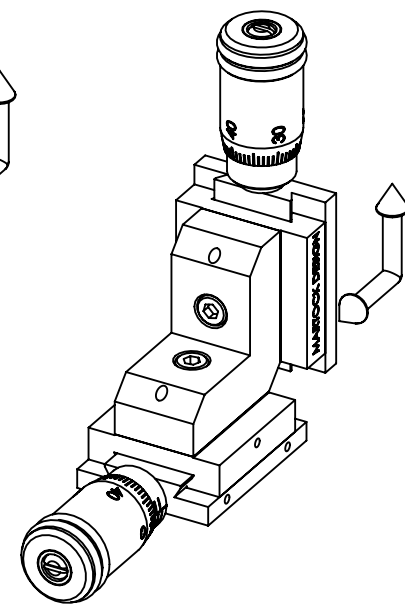
MDE263M



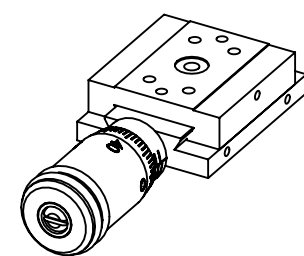
MDE262M



MDE261M-YZ



MDE261M-XZ



MDE261M

**PROPRIETARY AND CONFIDENTIAL**  
**COPYRIGHT ELLIOT SCIENTIFIC Ltd.**  
 THE INFORMATION CONTAINED IN THIS  
 DRAWING IS THE SOLE PROPERTY OF  
 ELLIOT SCIENTIFIC LTD. REPRODUCTION  
 IN PART OR AS A WHOLE WITHOUT WRITTEN  
 PERMISSION IS PROHIBITED.

DIMENSIONS ARE IN mm  
 GENERAL TOLERANCES:  $\pm 0.1$   
 ANGULAR TOLERANCES:  $\pm$   
 SURFACE FINISH:  
 ALL BURRS, SHARP EDGES  
 AND CORNERS TO BE  
 REMOVED

NAME	DATE
AUTHOR GW	07/06/2010
CHECKED --	--
MATERIAL --	
FINISH --	
DO NOT SCALE DRAWING	

<b>Elliot Scientific</b>	
TITLE <b>5mm TRAVEL DOVETAIL SLIDES</b>	
SIZE <b>A4</b>	DWG. NO. <b>MDE260M SERIES</b>
SCALE:1:1	THIRD ANGLE PROJECTION
SHEET 1 OF 1	