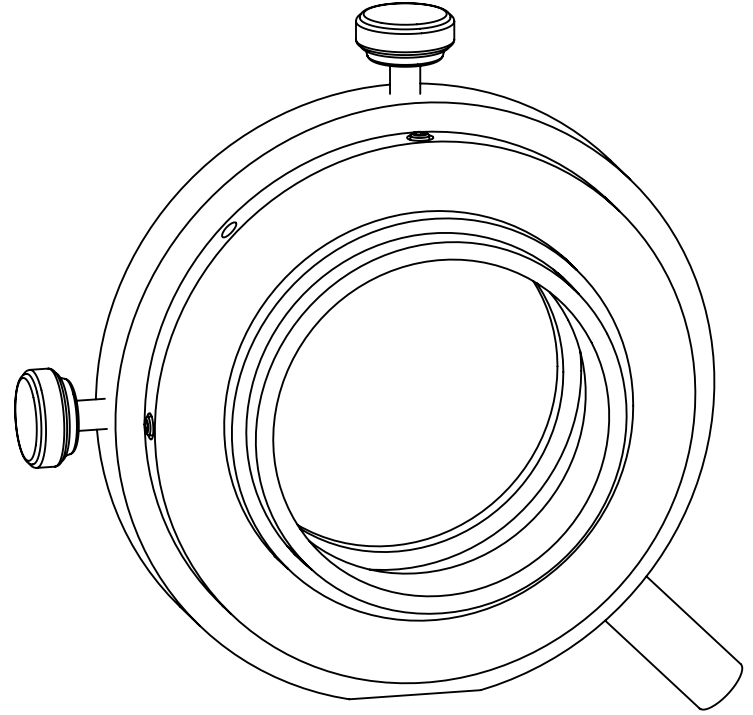
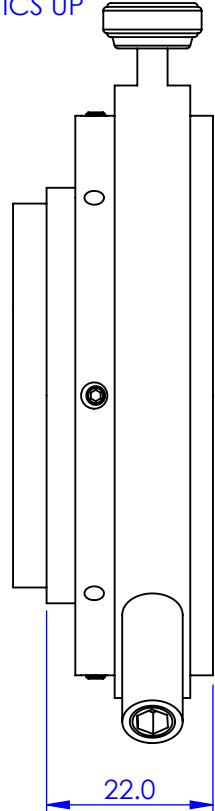
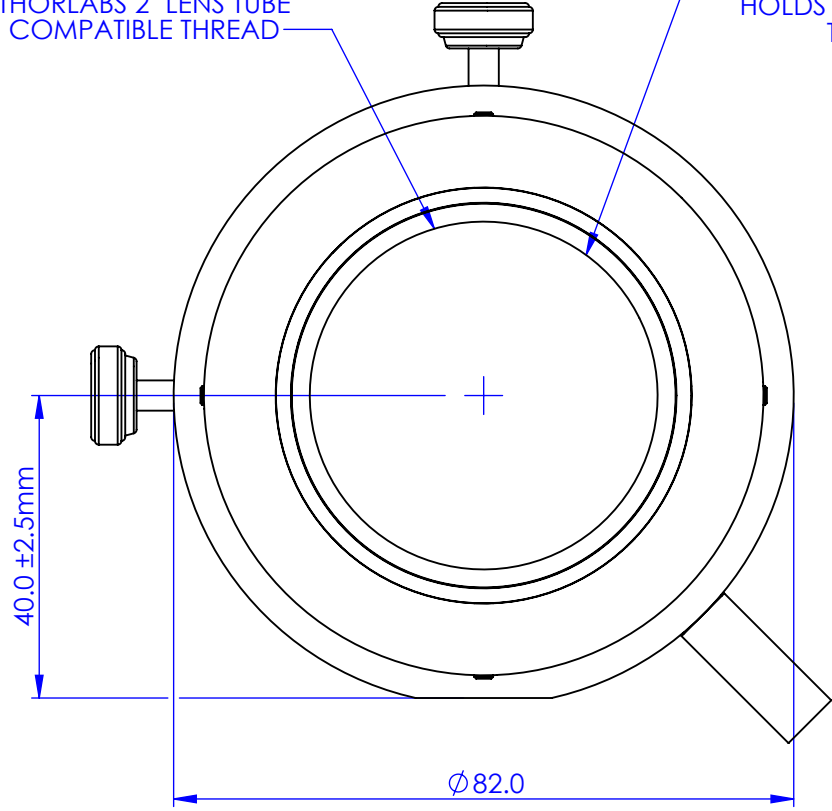


REV. NO.		REVISIONS	DATE	APPROVED
		DESCRIPTION		

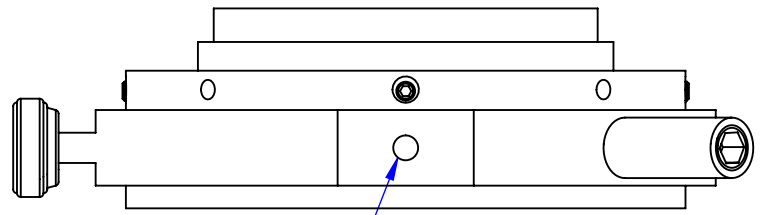
REMOVE SLEEVE TO REVEAL THORLABS 2" LENS TUBE COMPATIBLE THREAD

OPTIC RETAINING SLEEVE. HOLDS 2" or 50mm OPTICS UP TO 11mm THICK



GENERAL VIEW  
SCALE 1:1

±2.5mm TRAVEL IN X AND Y



M4 TAPPED MOUNTING HOLE

**PROPRIETARY AND CONFIDENTIAL**  
**COPYRIGHT ELLIOT SCIENTIFIC Ltd.**  
 THE INFORMATION CONTAINED IN THIS DRAWING IS THE SOLE PROPERTY OF ELLIOT SCIENTIFIC LTD. REPRODUCTION IN PART OR AS A WHOLE WITHOUT WRITTEN PERMISSION IS PROHIBITED.

DIMENSIONS ARE IN mm  
 GENERAL TOLERANCES: ± 0.1  
 ANGULAR TOLERANCES: ±  
 SURFACE FINISH:  
 ALL BURRS, SHARP EDGES AND CORNERS TO BE REMOVED

AUTHOR	NAME	DATE
GW		10/07/2009
CHECKED	--	--
MATERIAL		
---		
FINISH		
---		
DO NOT SCALE DRAWING		

		TITLE	
		2" LENS CENTRING MOUNT	
SIZE	DWG. NO.		
A4	MDE872		
SCALE:1:1		THIRD ANGLE PROJECTION	SHEET 1 OF 1