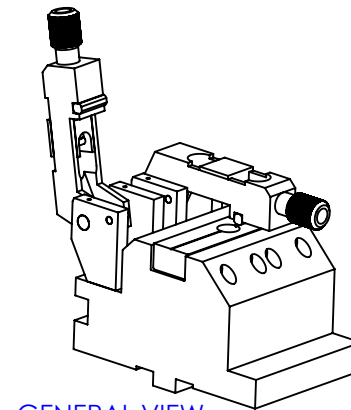
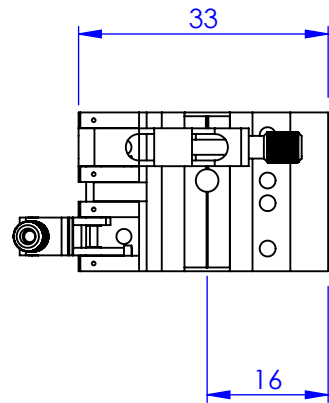
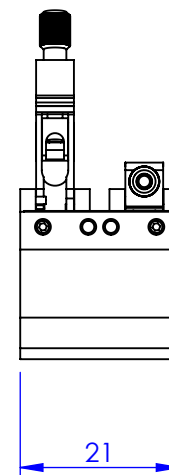
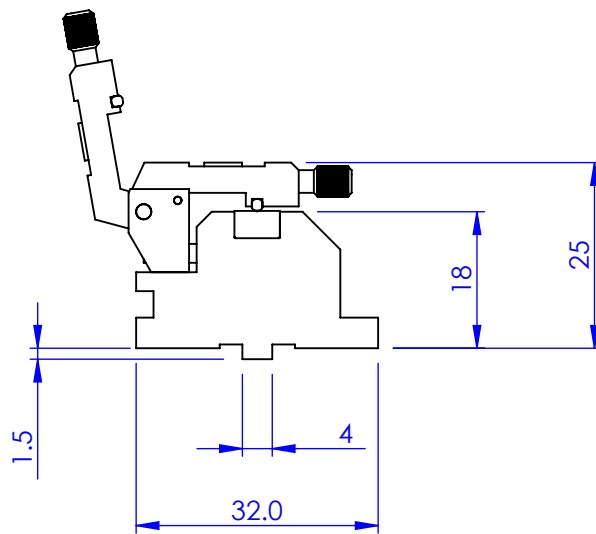


REV.	REVISIONS	DATE	APPROVED
	DESCRIPTION		



GENERAL VIEW
SCALE 1:1



PROPRIETARY AND CONFIDENTIAL
COPYRIGHT ELLIOT SCIENTIFIC Ltd.
THE INFORMATION CONTAINED IN THIS DRAWING IS THE SOLE PROPERTY OF ELLIOT SCIENTIFIC LTD. REPRODUCTION IN PART OR AS A WHOLE WITHOUT WRITTEN PERMISSION IS PROHIBITED.

DIMENSIONS ARE IN mm
GENERAL TOLERANCES: ± 0.1
ANGULAR TOLERANCES: \pm
SURFACE FINISH:
ALL BURRS, SHARP EDGES
AND CORNERS TO BE
REMOVED

	NAME	DATE
AUTHOR	GW	09/08/2010
CHECKED	--	--
MATERIAL		
FINISH		
DO NOT SCALE DRAWING		

Elliot Scientific

TITLE
DOUBLE 'V' FIBRE HOLDER

SIZE **A4** DWG. NO. **MDE710**