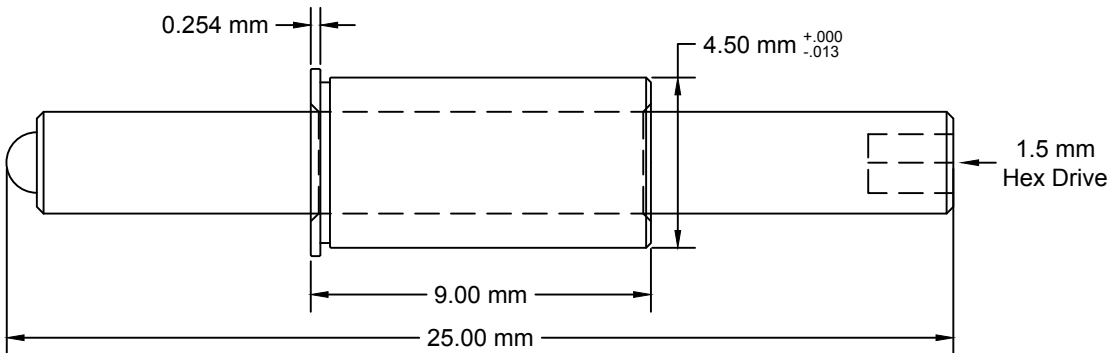
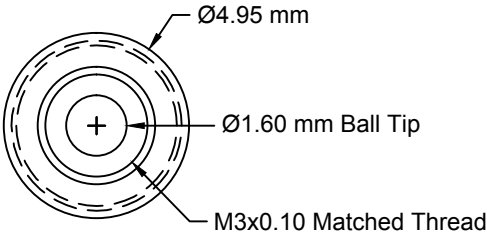


Revisions			
Rev.	Description	Date	Approved
A	Initial Release	03/29/10	G.K.



Kozak Micro Adjusters
 193 Franklin Rd.
 Randolph, NJ 07869

 Phone: 1-973-442-1001
 Fax: 1-973-442-1448
 Email: info@kozakmicro.com

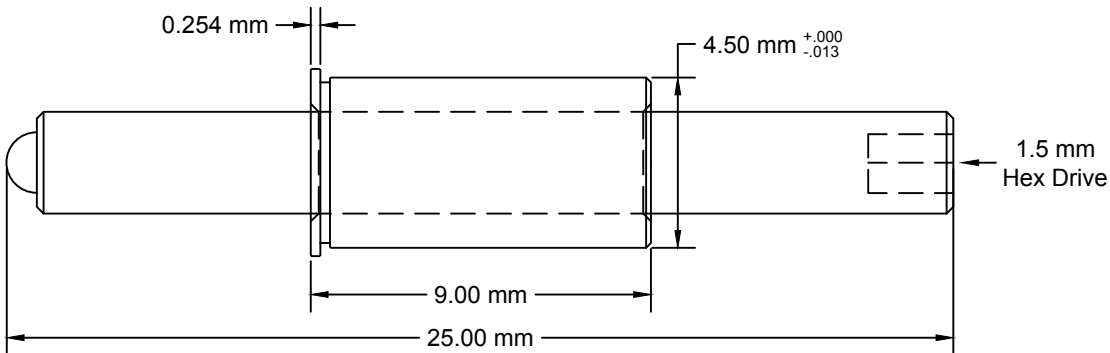
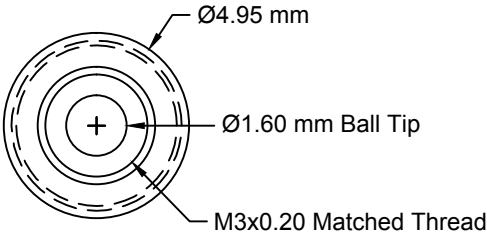
 Drawn D.K. 03/12/10
 Check J.P. 03/18/10
 Appr. G.K. 03/29/10
 Issued 05/19/10



M3 x 0.10, 25mm Screw & 9mm Bushing

Size A	Drawing No. TSBM3-10-25/9	Rev. A
Scale 5:1	Material 303 SS + 360 Brass	Sheet 1 of 1

Revisions			
Rev.	Description	Date	Approved
A	Initial Release	03/29/10	G.K.



Kozak Micro Adjusters
 193 Franklin Rd.
 Randolph, NJ 07869

 Phone: 1-973-442-1001
 Fax: 1-973-442-1448
 Email: info@kozakmicro.com

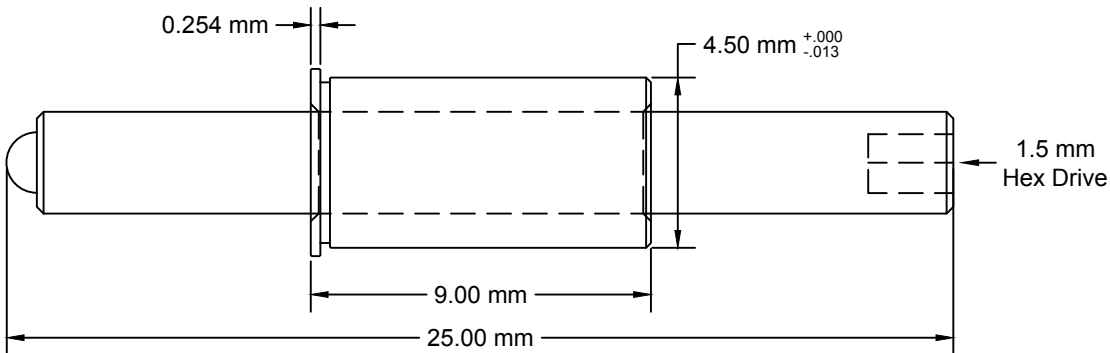
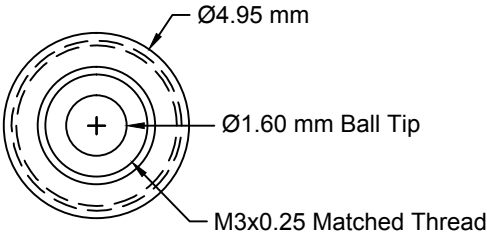
 Drawn D.K. 03/12/10
 Check J.P. 03/18/10
 Appr. G.K. 03/29/10
 Issued 05/19/10



M3 x 0.20, 25mm Screw & 9mm Bushing

Size A	Drawing No. TSBM3-20-25/9	Rev. A
Scale 5:1	Material 303 SS + 360 Brass	Sheet 1 of 1

Revisions			
Rev.	Description	Date	Approved
A	Initial Release	03/29/10	G.K.



Kozak Micro Adjusters
 193 Franklin Rd.
 Randolph, NJ 07869

Phone: 1-973-442-1001
 Fax: 1-973-442-1448
 Email: info@kozakmicro.com

Drawn D.K. 03/12/10
 Check J.P. 03/18/10
 Appr. G.K. 03/29/10
 Issued 05/19/10



M3 x 0.25, 25mm Screw & 9mm Bushing

Size A	Drawing No. TSBM3-25-25/9	Rev. A
Scale 5:1	Material 303 SS + 360 Brass	Sheet 1 of 1