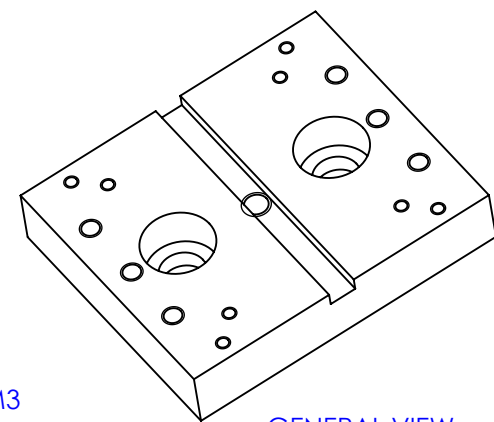
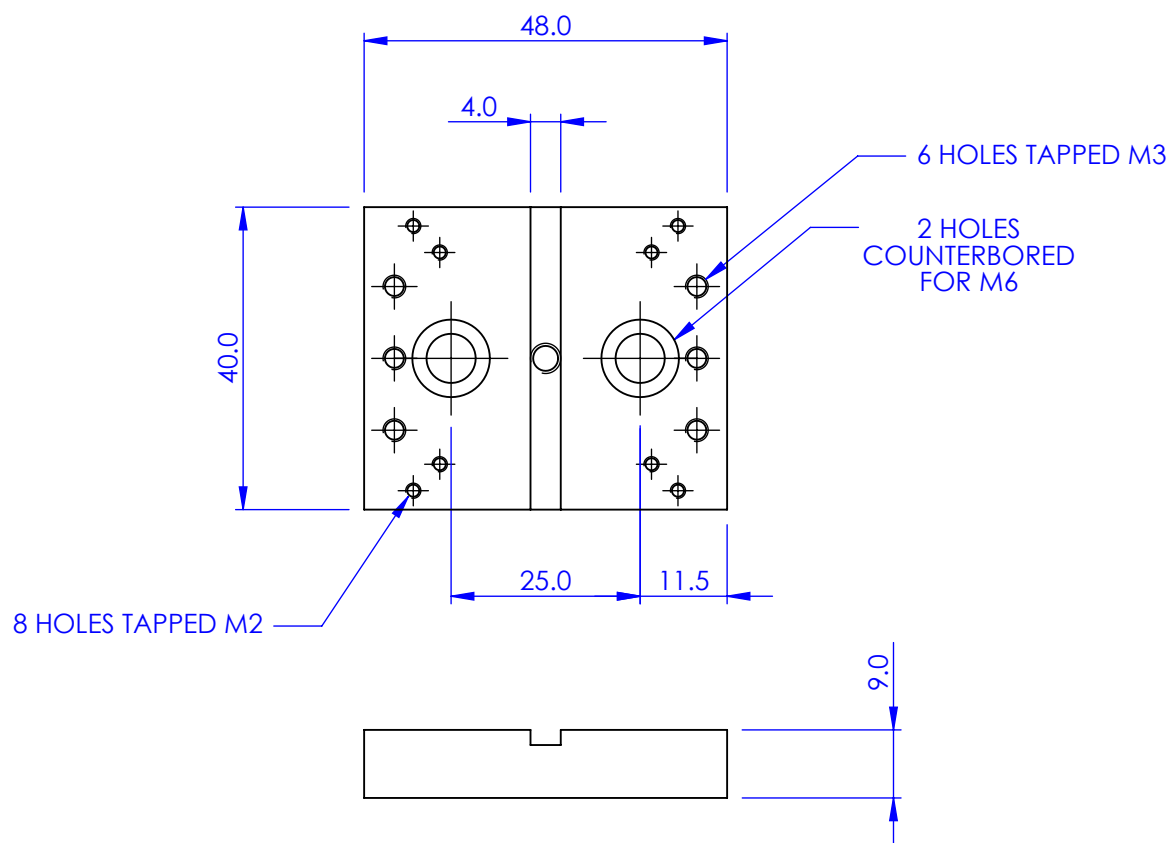


REV. NO.		REVISIONS	DATE	APPROVED
		DESCRIPTION		



GENERAL VIEW  
SCALE: 1:1



**PROPRIETARY AND CONFIDENTIAL**  
**COPYRIGHT ELLIOT SCIENTIFIC Ltd.**  
 THE INFORMATION CONTAINED IN THIS DRAWING IS THE SOLE PROPERTY OF ELLIOT SCIENTIFIC LTD. REPRODUCTION IN PART OR AS A WHOLE WITHOUT WRITTEN PERMISSION IS PROHIBITED.

DIMENSIONS ARE IN mm  
 GENERAL TOLERANCES:  $\pm 0.1$   
 ANGULAR TOLERANCES:  $\pm$   
 SURFACE FINISH:  
 ALL BURRS, SHARP EDGES AND CORNERS TO BE REMOVED

AUTHOR	NAME	DATE
GW	GW	25/05/2010
CHECKED	--	--
MATERIAL		
ALUM. ALLOY		
FINISH		
---		
DO NOT SCALE DRAWING		

		TITLE	
		ADAPTER PLATE	
SIZE	DWG. NO.		
A4	MDE860		
SCALE:1:1		THIRD ANGLE PROJECTION	SHEET 1 OF 1