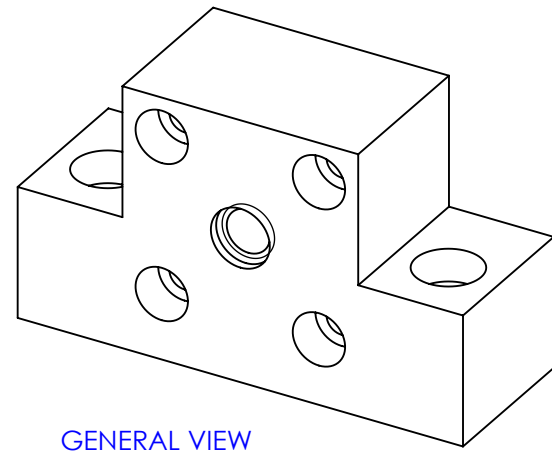
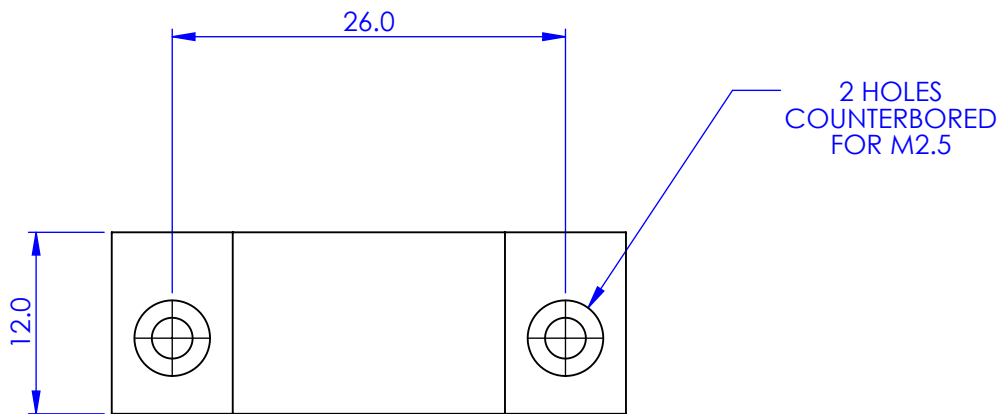
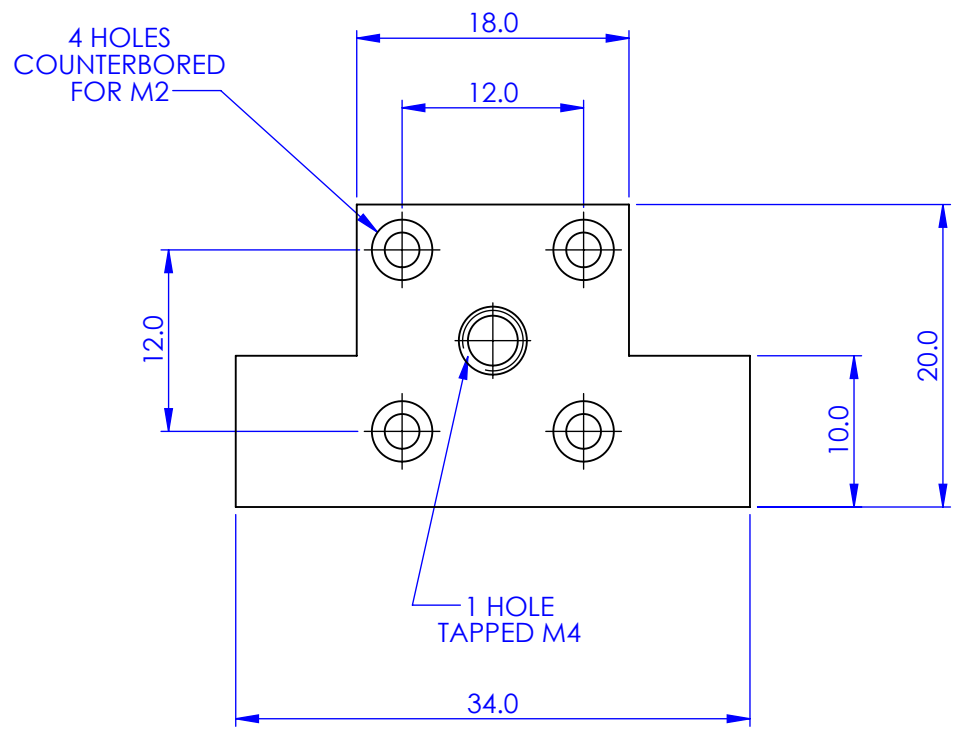


REV. NO.		REVISIONS	DATE	APPROVED
		DESCRIPTION		



GENERAL VIEW
SCALE 2:1



PROPRIETARY AND CONFIDENTIAL
COPYRIGHT ELLIOT SCIENTIFIC Ltd.
 THE INFORMATION CONTAINED IN THIS DRAWING IS THE SOLE PROPERTY OF ELLIOT SCIENTIFIC LTD. REPRODUCTION IN PART OR AS A WHOLE WITHOUT WRITTEN PERMISSION IS PROHIBITED.

DIMENSIONS ARE IN mm
 GENERAL TOLERANCES: ± 0.1
 ANGULAR TOLERANCES: \pm
 SURFACE FINISH:
 ALL BURRS, SHARP EDGES AND CORNERS TO BE REMOVED

AUTHOR	NAME	DATE
GW	GW	27/05/2010
CHECKED	--	--

MATERIAL
ALUM ALLOY

FINISH
BLACK ANODISE

DO NOT SCALE DRAWING

Elliot Scientific

TITLE
ADAPTER BLOCK

SIZE **A4** DWG. NO. **MDE274**

SCALE:2:1 THIRD ANGLE PROJECTION SHEET 1 OF 1