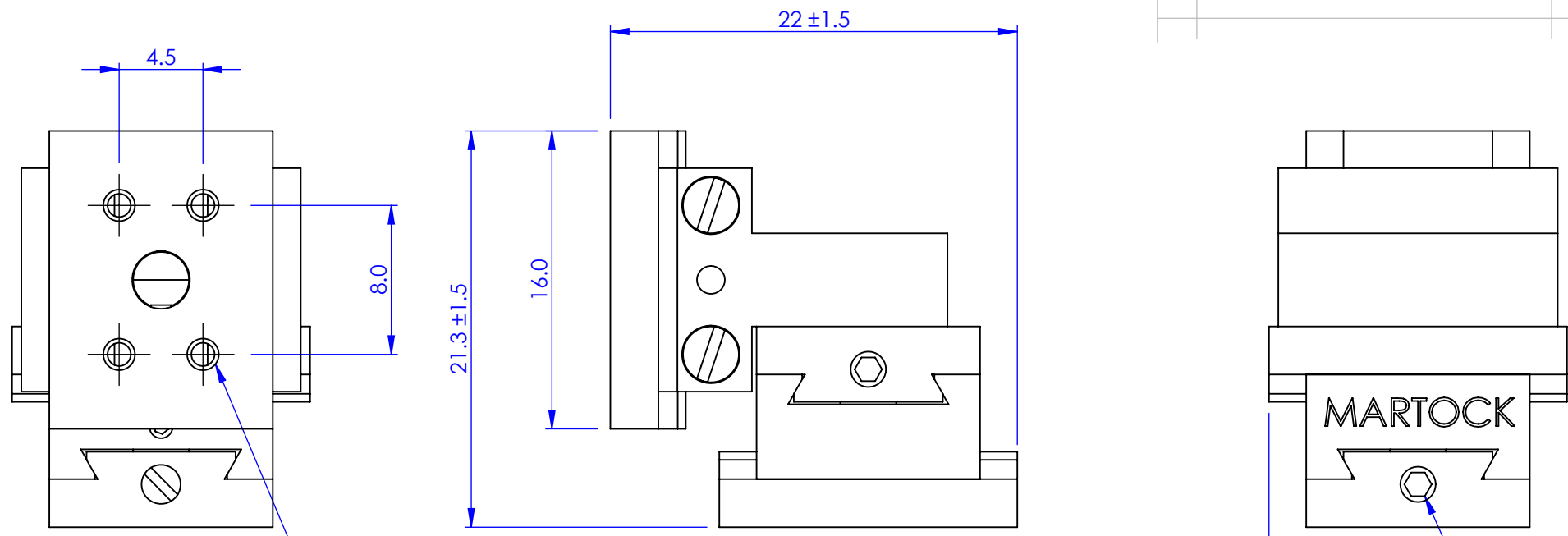


REV.	REVISIONS	DESCRIPTION	DATE	APPROVED

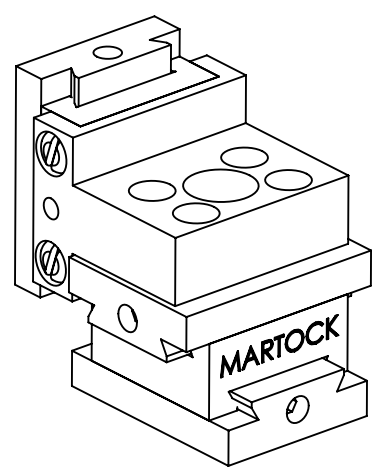


4 HOLES TAPPED M1.6

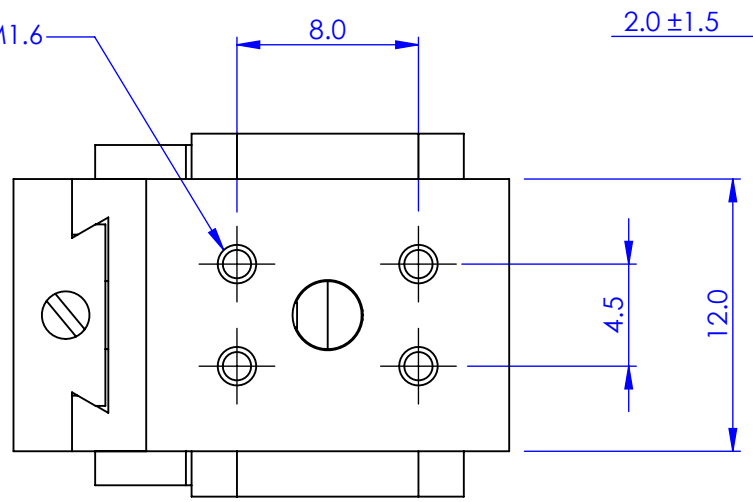
4 HOLES TAPPED M1.6

2.0 ± 1.5

1.27 HEX SOCKET



GENERAL VIEW
SCALE 3:1



PROPRIETARY AND CONFIDENTIAL
COPYRIGHT ELLIOT SCIENTIFIC Ltd.
 THE INFORMATION CONTAINED IN THIS DRAWING IS THE SOLE PROPERTY OF ELLIOT SCIENTIFIC LTD. REPRODUCTION IN PART OR AS A WHOLE WITHOUT WRITTEN PERMISSION IS PROHIBITED.

DIMENSIONS ARE IN mm
 GENERAL TOLERANCES: ± 0.1
 ANGULAR TOLERANCES: ±
 SURFACE FINISH:
 ALL BURRS, SHARP EDGES
 AND CORNERS TO BE
 REMOVED

NAME	DATE
AUTHOR GW	11/05/2010
CHECKED --	--

MATERIAL
**CU ALLOY,
 STAINLESS STEEL**

FINISH
 --



TITLE
3 AXIS DOVETAIL SLIDE

SIZE
A4

DWG. NO.
MDE269