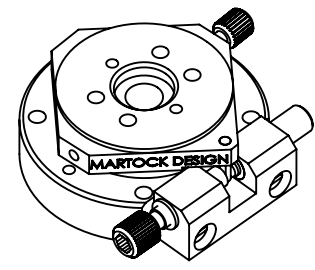
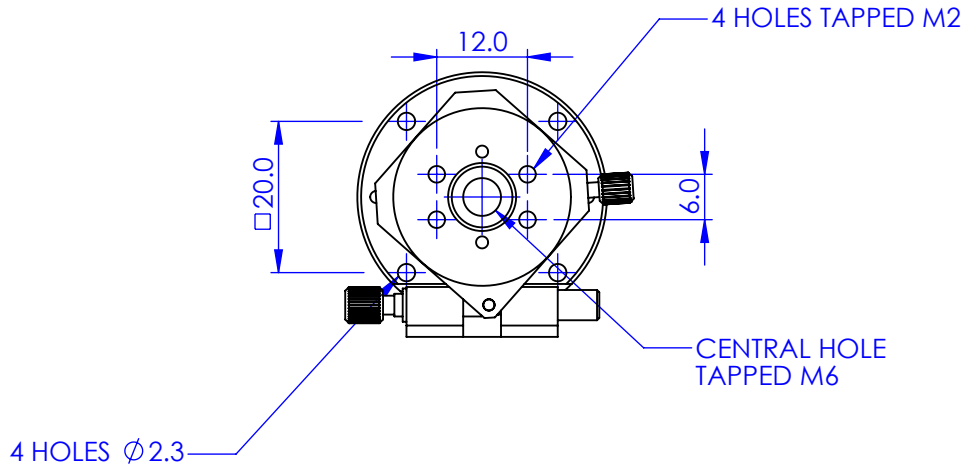
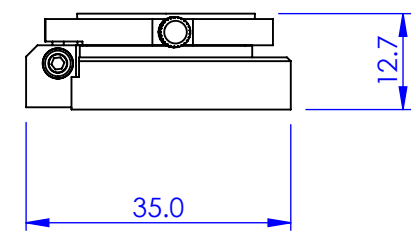
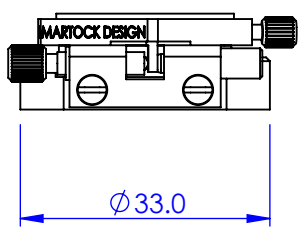


MDE283  
 COARSE ADJUST: FULL 360°  
 FINE ADJUST: ±5°  
 RESOLUTION: 5 ARC.SEC

REV.	REVISIONS	DESCRIPTION	DATE	APPROVED



GENERAL VIEW  
 SCALE: 1:1



**PROPRIETARY AND CONFIDENTIAL**  
**COPYRIGHT ELLIOT SCIENTIFIC Ltd.**  
 THE INFORMATION CONTAINED IN THIS DRAWING IS THE SOLE PROPERTY OF ELLIOT SCIENTIFIC LTD. REPRODUCTION IN PART OR AS A WHOLE WITHOUT WRITTEN PERMISSION IS PROHIBITED.

DIMENSIONS ARE IN mm  
 GENERAL TOLERANCES: ± 0.1  
 ANGULAR TOLERANCES: ±  
 SURFACE FINISH:  
 ALL BURRS, SHARP EDGES  
 AND CORNERS TO BE  
 REMOVED

	NAME	DATE
AUTHOR	GW	02/06/2010
CHECKED	--	--
MATERIAL		
FINISH	---	
DO NOT SCALE DRAWING		

**Elliot Scientific**

TITLE  
**ROTATION STAGE**

SIZE **A4** DWG. NO. **MDE283**

SCALE:1:1 THIRD ANGLE PROJECTION SHEET 1 OF 1