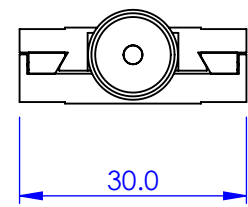
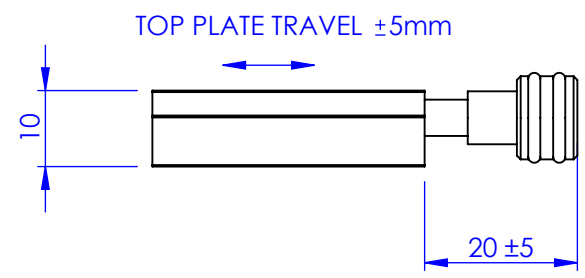
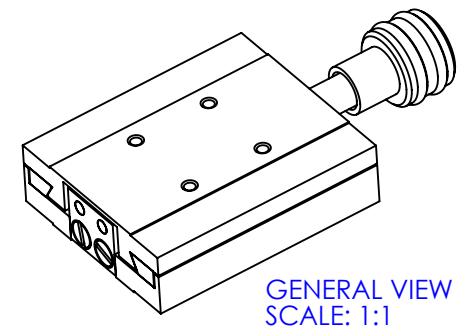
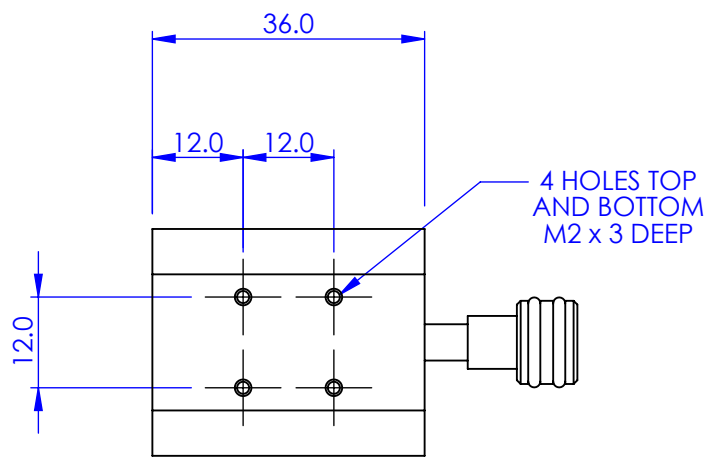


REV.	REVISIONS	DESCRIPTION	DATE	APPROVED



PROPRIETARY AND CONFIDENTIAL
COPYRIGHT ELLIOT SCIENTIFIC Ltd.
 THE INFORMATION CONTAINED IN THIS DRAWING IS THE SOLE PROPERTY OF ELLIOT SCIENTIFIC LTD. REPRODUCTION IN PART OR AS A WHOLE WITHOUT WRITTEN PERMISSION IS PROHIBITED.

DIMENSIONS ARE IN mm
 GENERAL TOLERANCES: ± 0.1
 ANGULAR TOLERANCES: \pm
 SURFACE FINISH:
 ALL BURRS, SHARP EDGES AND CORNERS TO BE REMOVED

NAME	DATE
AUTHOR GW	27/05/2008
CHECKED --	--

MATERIAL
STAINLESS STEEL, BRASS, ALUM. ALLOY

FINISH
 --

DO NOT SCALE DRAWING

Elliot Scientific

TITLE
MDE255 LINEAR SLIDE

SIZE **A4** DWG. NO. **MDE255**

SCALE: 1:1 THIRD ANGLE PROJECTION SHEET 1 OF 1