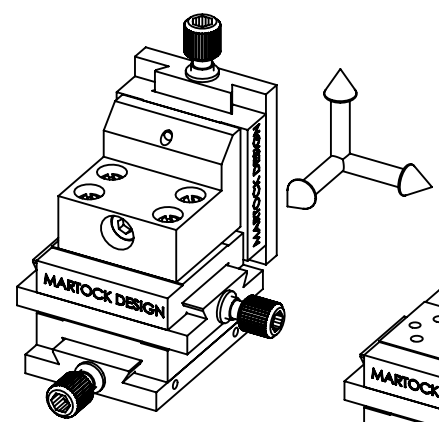
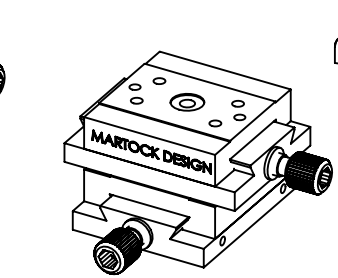


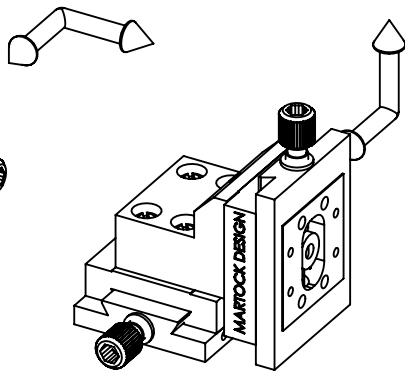
REV.	REVISIONS	DATE	APPROVED
	DESCRIPTION		



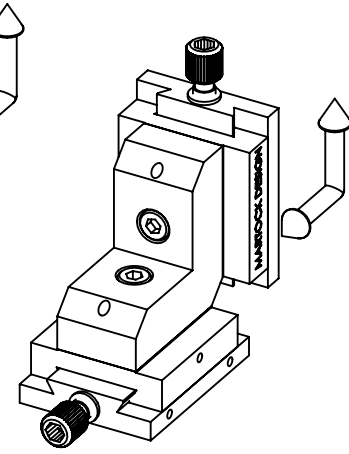
MDE263



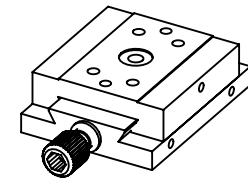
MDE262



MDE261-YZ



MDE261-XZ



MDE261

PROPRIETARY AND CONFIDENTIAL
COPYRIGHT ELLIOT SCIENTIFIC Ltd.
 THE INFORMATION CONTAINED IN THIS DRAWING IS THE SOLE PROPERTY OF ELLIOT SCIENTIFIC LTD. REPRODUCTION IN PART OR AS A WHOLE WITHOUT WRITTEN PERMISSION IS PROHIBITED.

DIMENSIONS ARE IN mm
 GENERAL TOLERANCES: ± 0.1
 ANGULAR TOLERANCES: \pm
 SURFACE FINISH:
 ALL BURRS, SHARP EDGES
 AND CORNERS TO BE
 REMOVED

	NAME	DATE
AUTHOR	GW	07/06/2010
CHECKED	--	--
MATERIAL	---	
FINISH	---	
DO NOT SCALE DRAWING		

Elliot Scientific	
TITLE	
5mm TRAVEL DOVETAIL SLIDES	
SIZE	DWG. NO.
A4	MDE260 SERIES
SCALE:1:1	THIRD ANGLE PROJECTION
	SHEET 1 OF 1