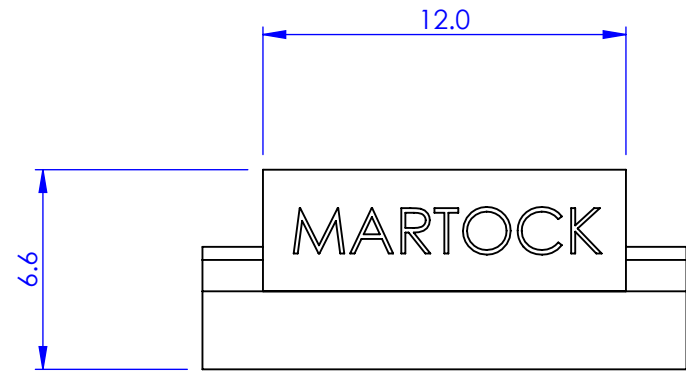
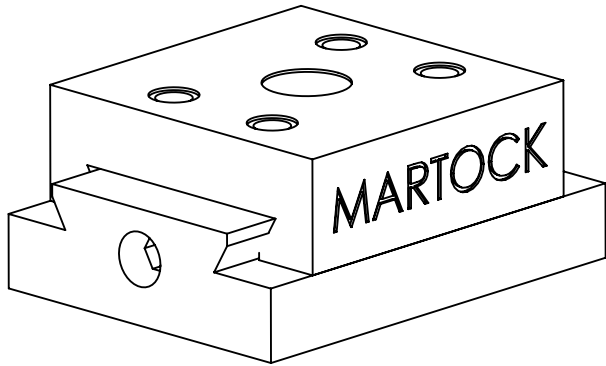
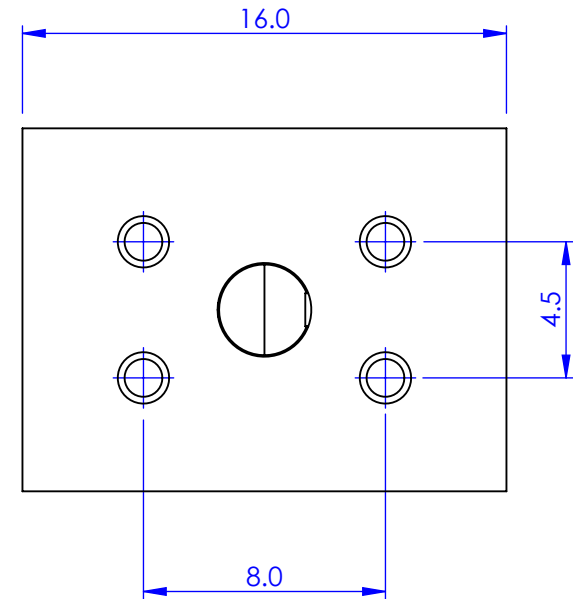
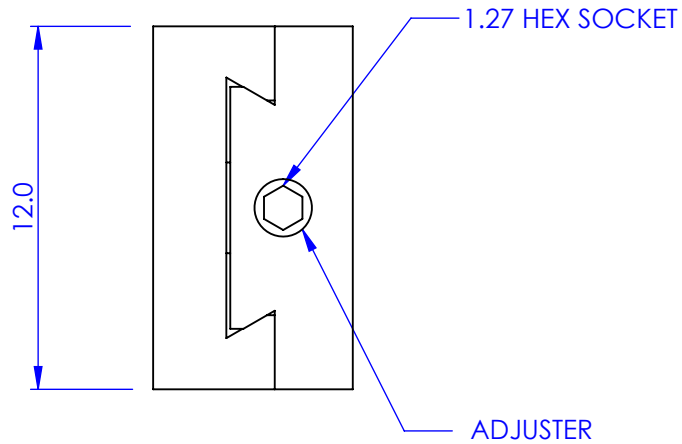
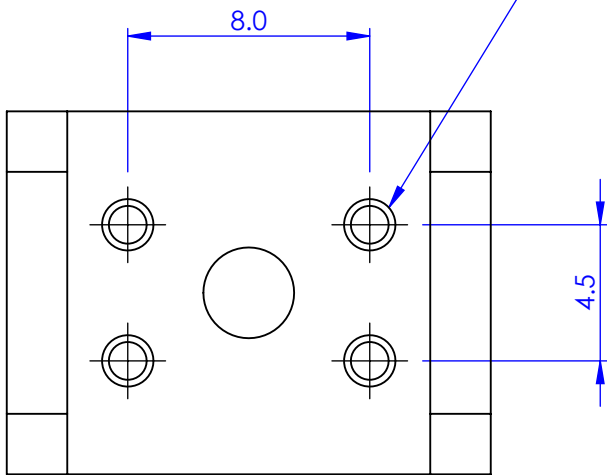


REV.	REVISIONS	DESCRIPTION	DATE	APPROVED



4 HOLES
M1.6 x 2 DEEP
TOP AND BOTTOM



TRAVEL $\pm 1.5\text{mm}$

PROPRIETARY AND CONFIDENTIAL
COPYRIGHT ELLIOT SCIENTIFIC Ltd.
THE INFORMATION CONTAINED IN THIS DRAWING IS THE SOLE PROPERTY OF ELLIOT SCIENTIFIC LTD. REPRODUCTION IN PART OR AS A WHOLE WITHOUT WRITTEN PERMISSION IS PROHIBITED.

DIMENSIONS ARE IN mm
GENERAL TOLERANCES: ± 0.1
ANGULAR TOLERANCES: \pm
SURFACE FINISH:
ALL BURRS, SHARP EDGES
AND CORNERS TO BE
REMOVED

AUTHOR	NAME	DATE
GW	GW	11/05/2010
CHECKED	--	--
MATERIAL CU ALLOY, STAINLESS STEEL		
FINISH --		
DO NOT SCALE DRAWING		

Elliot Scientific		TITLE
		MDE265 SINGLE AXIS STAGE
SIZE	DWG. NO.	
A4	MDE265	
SCALE:4:1	THIRD ANGLE PROJECTION	SHEET 1 OF 1