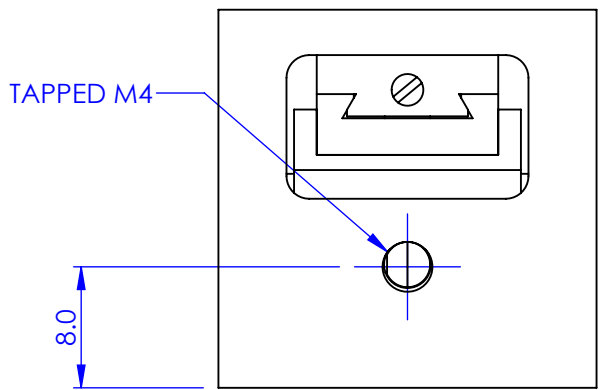
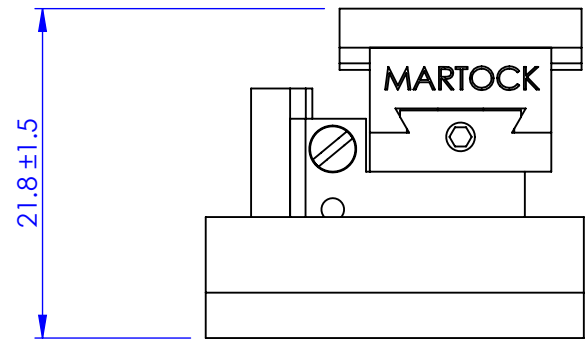
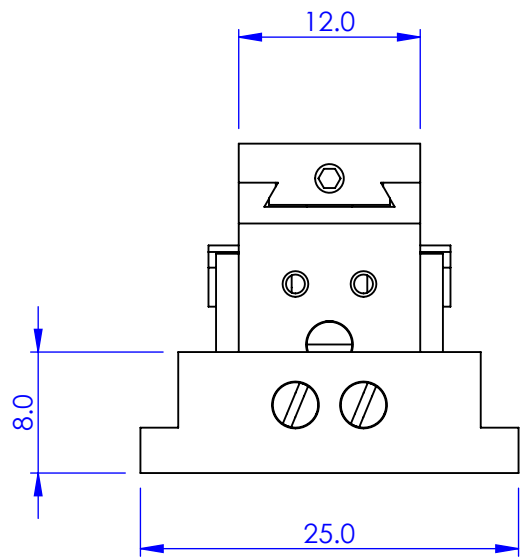
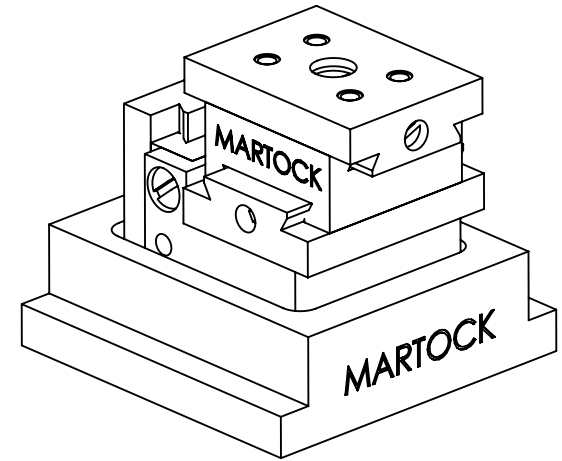
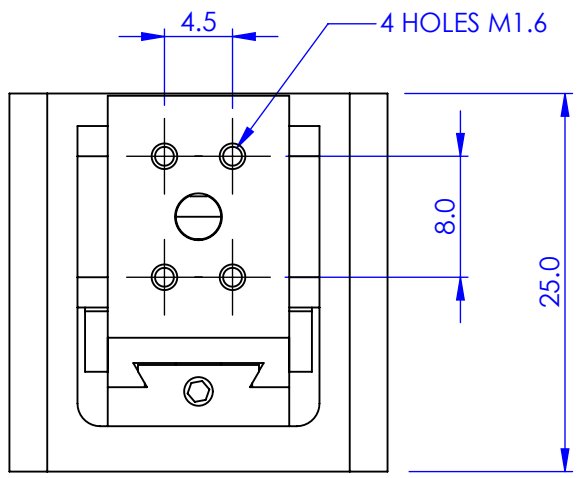


REVISIONS			
REV.	DESCRIPTION	DATE	APPROVED



PROPRIETARY AND CONFIDENTIAL
COPYRIGHT ELLIOT SCIENTIFIC Ltd.
 THE INFORMATION CONTAINED IN THIS DRAWING IS THE SOLE PROPERTY OF ELLIOT SCIENTIFIC LTD. REPRODUCTION IN PART OR AS A WHOLE WITHOUT WRITTEN PERMISSION IS PROHIBITED.

DIMENSIONS ARE IN mm
 GENERAL TOLERANCES: ± 0.1
 ANGULAR TOLERANCES: ±
 SURFACE FINISH:
 ALL BURRS, SHARP EDGES
 AND CORNERS TO BE
 REMOVED

AUTHOR	NAME	DATE
GW	GW	13/05/2010
CHECKED	--	--
MATERIAL		
CU ALLOY, AL ALLOY		
STAINLESS STEEL		
FINISH		
--		
DO NOT SCALE DRAWING		

Elliot Scientific

TITLE
MDE267 3-Axis Micropositioner

SIZE **A4** DWG. NO. **MDE267**

SCALE:2:1 THIRD ANGLE PROJECTION SHEET 1 OF 1